

FIST-MSC

Base Product



FIST-MSC Fiber Optic Modular Splice Closure

The FIST-MSC modular splice closure helps you to adapt to the constantly-changing needs of your network. To keep pace with subscriber demands, network providers today need real deployment efficiencies. The new FIST delivers versatility and efficiency by supporting many network applications with simplified planning and logistics and with ease of installation.

Building blocks of the FIST-MSC closures:

- FIST Modular Splice Closure cable seals
- FIST Modular Splice Closure cable terminations
- FIST Modular Splice Closure dome & base enclosure
- FIST Modular Splice Closure Fiber Management

To configure a complete FIST Modular Splice Closure, the following items must be specified and ordered as indicated:

- Closure: FIST Modular Splice Closures are shipped empty.
- Cable seals: Total number of cable seals per closure MUST equal 8.
- Cable termination units: Order 1 cable termination unit for each cable. Looped cables require 2 cable termination units. Alternatively, an internal cable fixation plate can be ordered per segment.
- Trays: FIST Modular Splice Closures are compatible with all existing MK2 FIST trays (splice, patch, splitter, etc.).

Key Features of the FIST-MSC closures:

- FIST fiber management
 - Transient-free, modular, flexible fiber management
 - FIST single-circuit and single-element splice trays
 - Up to 1248 splices with standard domes: expandable splice capacity with extra collars
 - Storage area for looped cable
 - Compatible with all fiber types: G.652D and G.657 series
- High-performance closure
 - Uses FIST closure materials
 - Base is completely removable, with easy access during installation and provisioning
 - Tool-less base install: simply turn and lock pin
 - Underground, ground-level, and aerial use
 - IP68; 5mWH; 40 kPa
- Superior gel seal
 - Fully wraparound, 100 percent mechanical seal
 - Eight interchangeable base segments
 - Click and snap with no screws required
 - Field and factory installable
 - Easy day two or repair cable installation

FIST-MSC

- Easy release of gel segments by the un-triggering of the handle
- Best-in-class cable fixation
 - Universal termination for cables from 1-27 mm
 - Full wraparound and remote cable preparation and cable termination unit (CTU) installation
 - Integrated grounding feature for easy grounding wire attachment
 - Possible to open gel segments with cable retention in place
 - Only one hex wrench needed

Product Classification

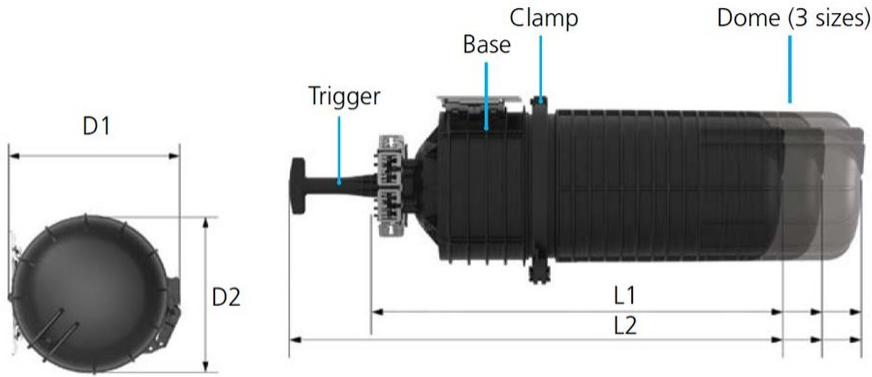
Regional Availability	Australia/New Zealand EMEA Latin America
Product Type	Single-ended, round fiber closure
Product Brand	FIST®
Product Series	FIST-MSC

General Specifications

Cable Ports Quantity, total	8 multi-out ports (64 cables)
Cable Sealing Type	Gel kit (optional)
Closure Sealing Type	Dome-to-base clamp with O-ring
Closure Style	Single-ended
Color	Black
Mounting	Pole Strand Wall
Network Area Type	Distribution Feeder
Splice Tray Included, quantity	0
Splice Tray Type Included	No trays
Splicing Type, Supported	Mass fusion Single fusion

Dimension Drawing

FIST-MSC



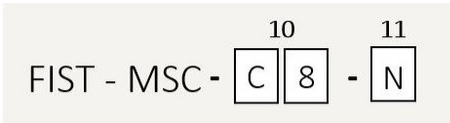
L2 (total length) L1 (length excl. trigger) D1 (diameter with clamp) D2 (diameter without clamp)

Splicing Configuration

PRODUCT DESCRIPTION	SINGLE CIRCUIT SPLICING CAPACITY (SC)	SINGLE ELEMENT SPLICING CAPACITY (SE)	SLIM SINGLE ELEMENT SPLICING CAPACITY (SLE)	ORDERING REFERENCE
C-size closure with 2x 20 UMS height	40 trays/160 fibers	20 trays/240 fibers	40 trays/480 fibers	
No trays, no test valve				FIST-MSC-C8-N
No trays, with test valve				FIST-MSC-C8-V
D-size closure with 2x 36 UMS height	72 trays/288 fibers	36 trays/432 fibers	72 trays/864 fibers	
No trays, no test valve				FIST-MSC-D8-N
No trays, with test valve				FIST-MSC-D8-V
E-size closure with 2x 52 UMS height	104 trays/416 fibers	52 trays/624 fibers	104 trays/1248 fibers	
No trays, no test valve				FIST-MSC-E8-N
No trays, with test valve				FIST-MSC-E8-V
F-size closure with 2x 60 UMS height	120 trays/480 fibers	60 trays/720 fibers	120 trays/1440 fibers	
No trays, no test valve				FIST-MSC-F8-N
No trays, with test valve				FIST-MSC-F8-V

Ordering Tree

FIST-MSC



Closure Size

10	C8	C-size closure with 20 UMS height
	D8	D-size closure with 36 UMS height
	E8	E-size closure with 52 UMS height
	F8	F-size closure with 60 UMS height

Closure Features

11	N	No trays, no test valve
	V	No trays, with test valve

Material Specifications

Material Type Impact-resistant polymer

Environmental Specifications

Operating Temperature -40 °C to +65 °C (-40 °F to +149 °F)

Environmental Space Above ground | Below ground | Buried | Manhole

Qualification Standards IEC 60529, IP68 + 5 m waterhead | IEC 61753-1 Ed2 (2018)

Water Resistance Flash test valve at 5 psi (40 kPa)

Regulatory Compliance/Certifications

Agency	Classification
ISO 9001:2015	Designed, manufactured and/or distributed under this quality management system