



GELSNAP Copper Closure, unpressurized, gel sealed, butt/in-line, for up to 30 pair splices

- Prevents water ingress by use of non-flowing gel under permanent compression
- Robust and reliable under a wide variety of environmental conditions
- Butt, in-line, and branch configurations with many connector types are possible

Product Classification

Regional Availability	Asia EMEA North America
Product Type	Gel filled closure
Product Series	GELSNAP

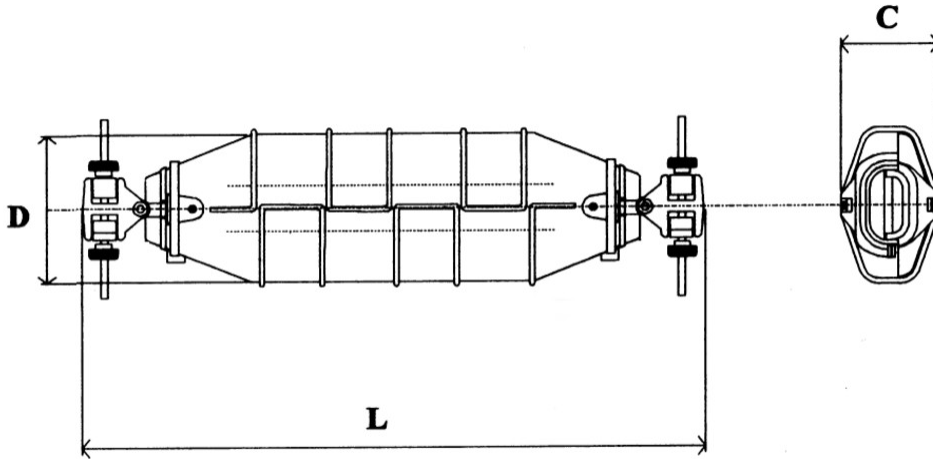
General Specifications

Cable Sealing Type	Gel filled
Closure Style	In-line Single-ended
Color	Black
Splicing Capacity, maximum	30

Dimensions

Height	33 mm 1.299 in
Width	80 mm 3.15 in
Length	335 mm 13.189 in
Single Cable Diameter, maximum	18 mm 0.709 in
Single Cable Diameter, minimum	5 mm 0.197 in
Sheath Opening, nominal	180 mm 7.087 in

Dimension Drawing



Environmental Specifications

Environmental Space Aerial | Buried

Packaging and Weights

Included Gel compression springs | Gel-filled half-shells | Installation instruction | Strain relief accessories | Tie wraps

Packaging quantity 1

Packaging Type Bag | Carton

Regulatory Compliance/Certifications

Agency	Classification
CHINA-ROHS	Below maximum concentration value
ISO 9001:2015	Designed, manufactured and/or distributed under this quality management system
REACH-SVHC	Compliant as per SVHC revision on www.commscope.com/ProductCompliance
ROHS	Compliant
TL 9000:2016 (R6)	Compliant to this quality management practice
UK-ROHS	Compliant

