

APTDC-BDFDM-DBW



Arrestor Plus® Dual Band Quarterwave dc Passing Surge Arrestor (T-shaped) for LTE frequencies, with interface types DIN Female Bulkhead and DIN Male

Product Classification

Product Type	Surge arrester
Product Brand	Arrestor Plus®
Ordering Note	CommScope® standard product in the United States and Canada

General Specifications

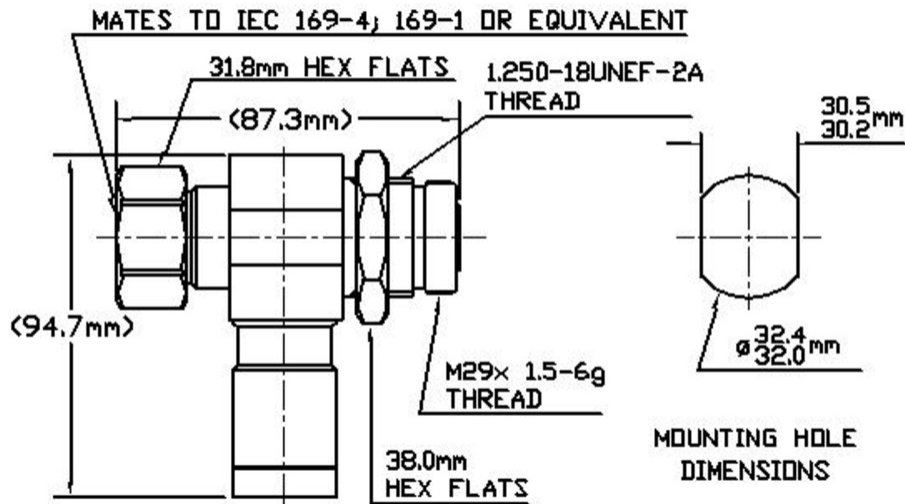
Device Type	dc Pass
Body Style	Bulkhead
Inner Contact Plating	Silver
Interface	7-16 DIN Female Bulkhead
Interface 2	7-16 DIN Male
Outer Contact Plating	Trimetal
Pressurizable	No

Dimensions

Height	88 mm 3.465 in
Width	42 mm 1.654 in
Length	88 mm 3.465 in

Outline Drawing

APTDC-BDFDM-DBW



Electrical Specifications

3rd Order IMD	-117 dBm
3rd Order IMD Test Method	Two +43 dBm carriers
Insertion Loss, typical	0.07 dB
Average Power	3000 W
Connector Impedance	50 ohm
dc Current, continuous	3 A
Gas Tube Voltage	90 V
Lightning Surge Capability	10 times @ 30 kA
Lightning Surge Capability Test Method	IEEE C62.42-1991
Lightning Surge Capability Waveform	8/20 waveform
Lightning Surge Current	30 kA
Lightning Surge Current Waveform	8/20 waveform
Operating Frequency Band	698 – 2200 MHz
Peak Instantaneous Power (PIP)	25 kW RF
Peak Power, maximum	40 kW
Throughput Energy	250 μJ
Throughput Voltage	50 V

APTDC-BDFDM-DBW

VSWR/Return Loss

Frequency Band	VSWR	Return Loss (dB)
1.0–1.5 MHz	1.135	23.98
2.0–2.3 MHz	1.135	23.98
698–806 MHz	1.135	23.98
806–960 MHz	1.106	25.96
1710–2200 MHz	1.106	25.96

Mechanical Specifications

Coupling Nut Proof Torque	220 in lb 24.857 N-m
Coupling Nut Retention Force	1,000.85 N 225 lbf
Coupling Nut Retention Force Method	MIL-C-39012C-3.25, 4.6.22
Interface Durability	500 cycles
Interface Durability Method	IEC 61169-16:9.5
Mechanical Shock Test Method	MIL-STD-202F, Method 213B, Test Condition C

Environmental Specifications

Operating Temperature	-40 °C to +100 °C (-40 °F to +212 °F)
Storage Temperature	-70 °C to +150 °C (-94 °F to +302 °F)
Attenuation, Ambient Temperature	20 °C 68 °F
Average Power, Ambient Temperature	40 °C 104 °F
Corrosion Test Method	MIL-STD-202, Method 101, Test Condition B
Immersion Depth	1 m
Immersion Test Mating	Mated
Immersion Test Method	IEC 60529:2001, IP68
Moisture Resistance Test Method	MIL-STD-202, Method 106
Thermal Shock Test Method	MIL-STD-202, Method 107, Test Condition A-1, Low Temperature -55 °C
Water Jetting Test Mating	Mated

Packaging and Weights

Weight, net	0.599 kg 1.32 lb
--------------------	--------------------

APTDC-BDFDM-DBW

Regulatory Compliance/Certifications

Agency	Classification
AISG	Compliant
ISO 9001:2015	Designed, manufactured and/or distributed under this quality management system



* Footnotes

Insertion Loss, typical	0.05√freq (GHz) (not applicable for elliptical waveguide)
Immersion Depth	Immersion at specified depth for 24 hours