

APTDC-BDFDM-DB



Arrestor Plus® LTE Band Quarterwave dc Passing Surge Arrestor (T-shaped), 698–2700 MHz, with interface types DIN Female Bulkhead and DIN Male

Product Classification

Product Type	Surge arrester
Product Brand	Arrestor Plus®
Ordering Note	CommScope® standard product in Asia Pacific

General Specifications

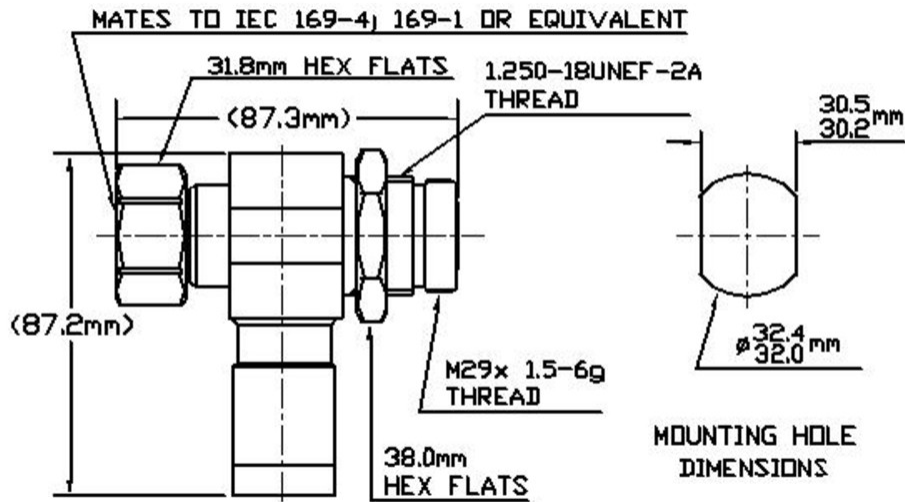
Device Type	dc Pass
Body Style	Bulkhead
Inner Contact Plating	Silver
Interface	7-16 DIN Female Bulkhead
Interface 2	7-16 DIN Male
Outer Contact Plating	Trimetal
Pressurizable	No

Dimensions

Height	88 mm 3.465 in
Width	42 mm 1.654 in
Length	88 mm 3.465 in

Outline Drawing

APTDC-BDFDM-DB



Electrical Specifications

3rd Order IMD	-117 dBm
3rd Order IMD Test Method	Two +43 dBm carriers
Insertion Loss, typical	0.07 dB
Average Power	3000 W
Connector Impedance	50 ohm
dc Current, continuous	3 A
Gas Tube Voltage	350 V
Lightning Surge Capability	10 times @ 30 kA
Lightning Surge Capability Test Method	IEEE C62.42-1991
Lightning Surge Capability Waveform	8/20 waveform
Lightning Surge Current	30 kA
Lightning Surge Current Waveform	8/20 waveform
Operating Frequency Band	698 – 2700 MHz
Peak Power, maximum	40 kW

VSWR/Return Loss

Frequency Band	VSWR	Return Loss (dB)
2.0–2.3 MHz	1.135	24

APTDC-BDFDM-DB

698–806 MHz	1.253	19
806–960 MHz	1.135	24
1710–2200 MHz	1.135	24
2200–2700 MHz	1.208	20.5

Mechanical Specifications

Attachment Durability	25 cycles
Coupling Nut Proof Torque	220 in lb 24.857 N-m
Coupling Nut Retention Force	1,000.85 N 225 lbf
Coupling Nut Retention Force Method	MIL-C-39012C-3.25, 4.6.22
Interface Durability	500 cycles
Interface Durability Method	IEC 61169-16:9.5
Mechanical Shock Test Method	MIL-STD-202F, Method 213B, Test Condition C

Environmental Specifications

Operating Temperature	-40 °C to +100 °C (-40 °F to +212 °F)
Storage Temperature	-70 °C to +150 °C (-94 °F to +302 °F)
Attenuation, Ambient Temperature	20 °C 68 °F
Average Power, Ambient Temperature	40 °C 104 °F
Corrosion Test Method	MIL-STD-202, Method 101, Test Condition B
Immersion Depth	1 m
Immersion Test Mating	Mated
Immersion Test Method	IEC 60529:2001, IP68
Moisture Resistance Test Method	MIL-STD-202, Method 106
Thermal Shock Test Method	MIL-STD-202, Method 107, Test Condition A-1, Low Temperature -55 °C
Water Jetting Test Mating	Mated

Packaging and Weights

Weight, net	0.599 kg 1.32 lb
--------------------	--------------------

Regulatory Compliance/Certifications

Agency	Classification
CHINA-ROHS	Above maximum concentration value
ISO 9001:2015	Designed, manufactured and/or distributed under this quality management system

APTDC-BDFDM-DB

REACH-SVHC	Compliant as per SVHC revision on www.commscope.com/ProductCompliance
ROHS	Compliant/Exempted
UK-ROHS	Compliant/Exempted



* Footnotes

Insertion Loss, typical 0.05√freq (GHz) (not applicable for elliptical waveguide)

Immersion Depth Immersion at specified depth for 24 hours