

E14F06P05



Ultra Compact Single Diplexer 700-800/900, 4.3-10 connectors

- Ideal for small cell applications
- Compact form factor with reduced size and weight
- Suitable for space limited applications like Metro Cell, Lamp Pole, Concealment Solution and Macro Site
- New 4.3-10 connectors for improved PIM performance and size reduction
- Single configuration

Product Classification

Product Type Diplexer

General Specifications

Product Family CBC789

Color Gray

Common Port Label PORT 3 COMMON

Modularity 2-Twin

Mounting Pole | Wall

Mounting Pipe Hardware Band clamps (2)

RF Connector Interface 4.3-10 Female

RF Connector Interface Body Style Long neck

Dimensions

Height 41.8 mm | 1.646 in

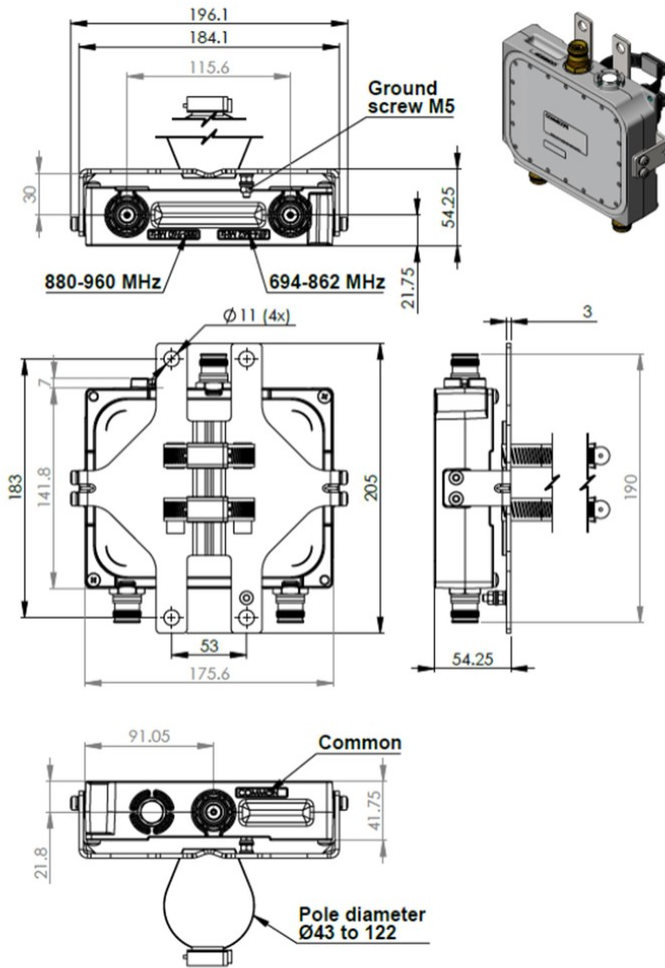
Width 171.5 mm | 6.752 in

Depth 136.3 mm | 5.366 in

Mounting Pipe Diameter Range 40–160 mm

Outline Drawing

E14F06P05



Electrical Specifications

Impedance	50 ohm
License Band, Band Pass	APT 700 CEL 900 EDD 800 LMR 800

Electrical Specifications, dc Power/Alarm

dc/AISG Pass-through Method	No dc/AISG pass-through
dc/AISG Pass-through, combiner	dc/AISG blocking on all ports
dc/AISG Pass-through, demultiplexer	dc/AISG blocking on all ports
Lightning Surge Current	5 kA
Lightning Surge Current Waveform	8/20 waveform

Electrical Specifications

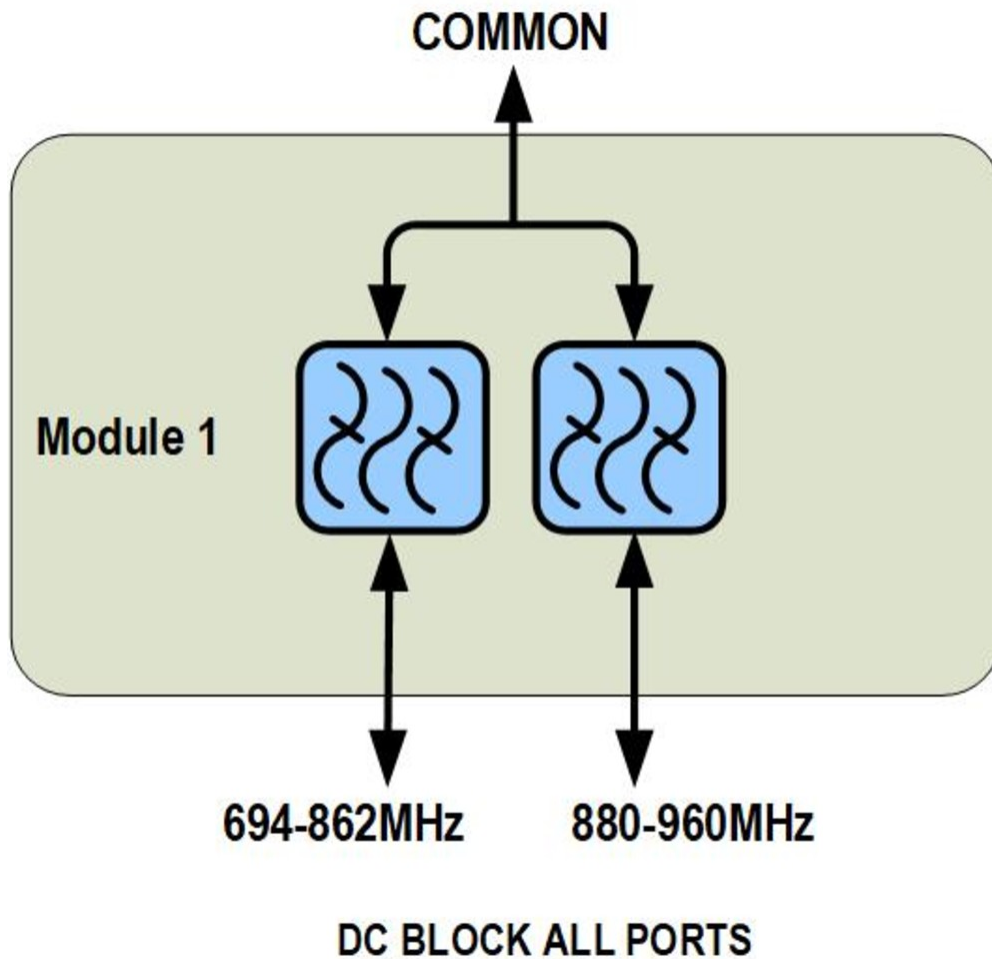
E14F06P05

Sub-module	1 2	1 2
Branch	1	2
Port Designation	PORT 1 694-862	PORT 2 880-960
License Band	APT 700, Band Pass EDD 800, Band Pass LMR 800, Band Pass	CEL 900, Band Pass

Electrical Specifications, Band Pass

Frequency Range, MHz	694–862	880–960
Insertion Loss, typical, dB	0.2	0.2
Return Loss, typical, dB	22	22
Isolation, typical, dB	40	40
Input Power, PEP, maximum, W	1200	1200
3rd Order PIM, typical, dBc	-161	-161
3rd Order PIM Test Method	Two +43 dBm carriers	Two +43 dBm carriers

Block Diagram



Environmental Specifications

Operating Temperature	-40 °C to +65 °C (-40 °F to +149 °F)
Corrosion Test Method	IEC 60068-2-11, 30 days
Ingress Protection Test Method	IEC 60529:2001, IP67

Packaging and Weights

Included	Mounting hardware
Volume	1.1 L
Weight, net	1.9 kg 4.189 lb
Weight, without mounting hardware	1.5 kg 3.307 lb

Regulatory Compliance/Certifications

E14F06P05

Agency

ISO 9001:2015

Classification

Designed, manufactured and/or distributed under this quality management system