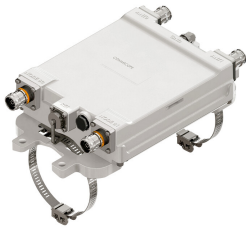


# E14R00P08



## Tower Mounted Amplifier, Dual UMTS 2100 with AISG, with 4.3-10 connectors

- Industry leading PIM performance
- New 4.3-10 connectors for improved PIM performance and size reduction
- Designed to boost UP-Link Coverage and KPIs
- TMA is operating in AISG & CWA mode, Alarm Current consumption CWA mode 250 mA
- RET interface to control antenna RET actuators with AISG standard
- Single AISG with 1 RET connector
- Automatic LNA by-pass function
- Built in lightning protection
- 1 device with 2 sub-units
- Connectors "in line"
- 2 input ports and 2 output ports

## Product Classification

**Product Type** 1-BTS:1-ANT (Uniplex) | Tower mounted amplifier

## General Specifications

**Color** Gray

**Modularity** 2-Twin

**Mounting** Pole | Wall

**Mounting Pipe Hardware** Band clamps (2)

**RF Connector Interface** 4.3-10 Female

**RF Connector Interface Body Style** Long neck

## Dimensions

**Height** 188 mm | 7.402 in

**Width** 170 mm | 6.693 in

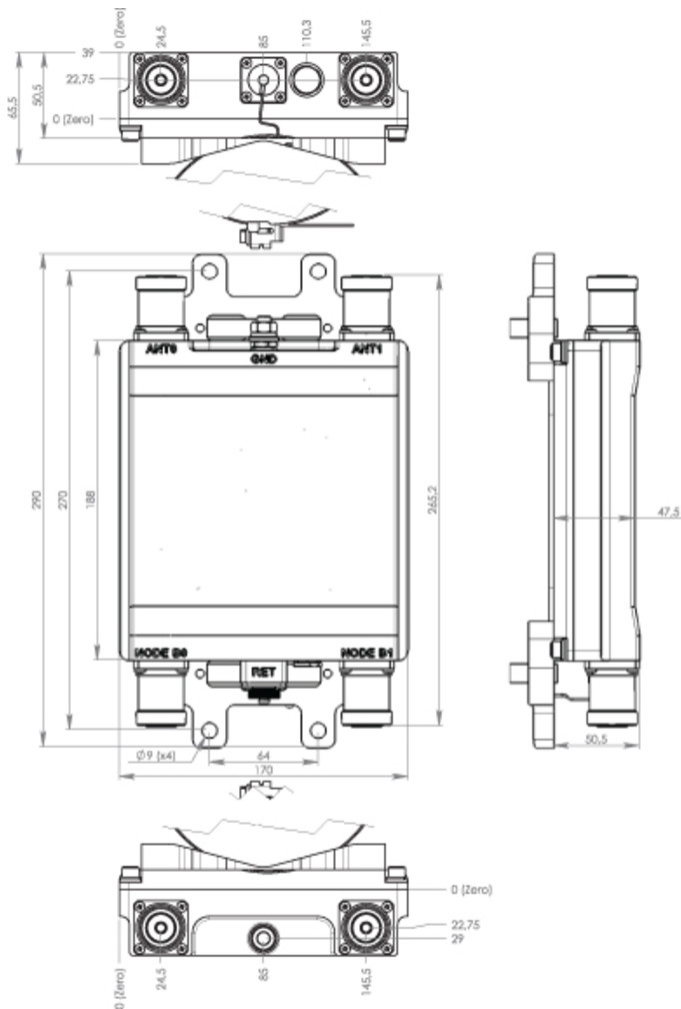
**Depth** 50 mm | 1.969 in

**Ground Screw Diameter** 8 mm | 0.315 in

**Mounting Pipe Diameter Range** 40–160 mm

# E14R00P08

## Outline Drawing



## Electrical Specifications

**License Band, LNA** IMT 2100

## Electrical Specifications, dc Power/Alarm

<b>dc Switching/Redundancy</b>	Yes
<b>Lightning Surge Current</b>	10 kA
<b>Lightning Surge Current Waveform</b>	8/20 waveform
<b>Operating Current at Voltage</b>	100 mA @ 12 V
<b>Operating Current Tolerance</b>	±15 mA
<b>Voltage</b>	7-30 Vdc

# E14R00P08

---

**Alarm Current, CWA Mode** 250 mA ±15 mA

## Electrical Specifications, AISG

**AISG Connector** 8-pin DIN Female  
**AISG Connector Standard** IEC 60130-9  
**Protocol** AISG 2.0  
**Voltage, AISG Mode** 10–30 Vdc

## Electrical Specifications

**Sub-module** 1 | 2  
**Branch** 1  
**Port Designation** ANT  
**License Band** IMT 2100, LNA  
**Return Loss - Bypass Mode, typical, dB** 19  
**TX Band Rejection, minimum, dB** 80

## Electrical Specifications Rx (Uplink)

**Frequency Range, MHz** 1920–1980  
**Bandwidth, MHz** 60  
**Gain, nominal, dB** 12  
**Gain Tolerance, dB** ±1  
**Noise Figure, maximum, dB** 1.4  
**Noise Figure, typical, dB** 1.2  
**Group Delay Variation, maximum, ns** 12  
**Group Delay Variation Bandwidth, MHz** 5  
**Total Group Delay, maximum, ns** 60  
**Output IP3, minimum, dBm** 24  
**Return Loss, minimum, dB** 18  
**Insertion Loss - Bypass Mode, typical, dB** 3.2

## Electrical Specifications Tx (Downlink)

**Frequency Range, MHz** 2110–2170

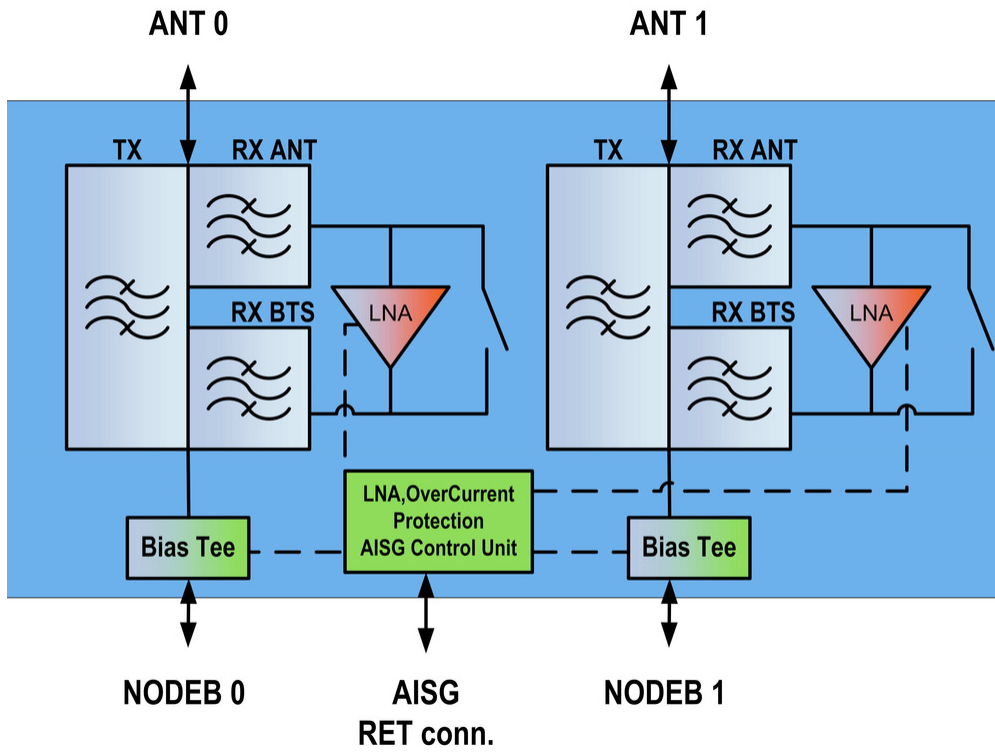
# E14R00P08

---

<b>Bandwidth, MHz</b>	60
<b>Insertion Loss, maximum, dB</b>	0.4
<b>Insertion Loss Ripple, maximum, dB</b>	0.1
<b>Group Delay Variation, maximum, ns</b>	3
<b>Group Delay Variation Bandwidth, MHz</b>	5
<b>Total Group Delay, maximum, ns</b>	18
<b>Return Loss, minimum, dB</b>	18
<b>RX Band Rejection, minimum, dB</b>	50
<b>Input Power, RMS, maximum, W</b>	160
<b>Input Power, PEP, maximum, W</b>	2500
<b>3rd Order PIM, typical, dBc</b>	-160

# E14R00P08

## Block Diagram



## Material Specifications

**Finish** Painted

## Environmental Specifications

**Operating Temperature** -40 °C to +65 °C (-40 °F to +149 °F)

**Relative Humidity** Up to 100%

**Corrosion Test Method** IEC 60068-2-11, 30 days

**Ingress Protection Test Method** IEC 60529:2001, IP67

## Packaging and Weights

**Included** Mounting hardware

**Volume** 1.6 L

**Weight, net** 3.3 kg | 7.275 lb

## Regulatory Compliance/Certifications

**Agency** **Classification**

# E14R00P08

---

ISO 9001:2015

Designed, manufactured and/or distributed under this quality management system

## \* Footnotes

**License Band, LNA**

License Bands that have RxUplink amplification