

DF-CAPKIT



7-16 DIN Female End Cap Assembly

Product Classification

Product Type	Surge arrestor accessory
Ordering Note	CommScope® standard product in Asia Pacific

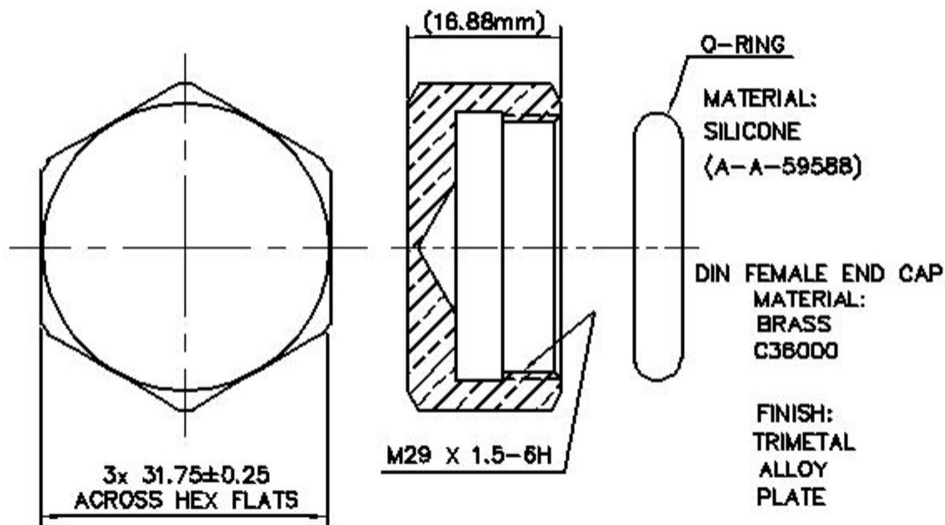
General Specifications

Interface	7-16 DIN Female
------------------	-----------------

Dimensions

Width	31.75 mm 1.25 in
Length	16.88 mm 0.665 in

Outline Drawing



Mechanical Specifications

Mechanical Shock Test Method	IEC 60068-2-27
-------------------------------------	----------------

DF-CAPKIT

Environmental Specifications

Operating Temperature	-55 °C to +85 °C (-67 °F to +185 °F)
Storage Temperature	-65 °C to +125 °C (-85 °F to +257 °F)
Corrosion Test Method	IEC 60068-2-11
Immersion Depth	1 m
Immersion Test Mating	Mated
Immersion Test Method	IEC 60529:2001, IP68
Moisture Resistance Test Method	IEC 60068-2-3
Thermal Shock Test Method	IEC 60068-2-14
Vibration Test Method	IEC 60068-2-6

Packaging and Weights

Packaging quantity	1
Weight, net	63.5 g 0.14 lb

Regulatory Compliance/Certifications

Agency	Classification
CHINA-ROHS	Below maximum concentration value
ISO 9001:2015	Designed, manufactured and/or distributed under this quality management system
REACH-SVHC	Compliant as per SVHC revision on www.commscope.com/ProductCompliance
ROHS	Compliant
UK-ROHS	Compliant



* Footnotes

Immersion Depth	Immersion at specified depth for 24 hours
------------------------	---