

APG-HFHM



Quarterwave Surge Arrestor 806-2170MHz, with interface types 4.3-10 Female and 4.3-10 Male

Product Classification

Product Type Surge arrestor

General Specifications

Device Type dc Pass

Inner Contact Plating Silver

Interface 4.3-10 Female

Interface 2 4.3-10 Male

Outer Contact Plating Trimetal

Dimensions

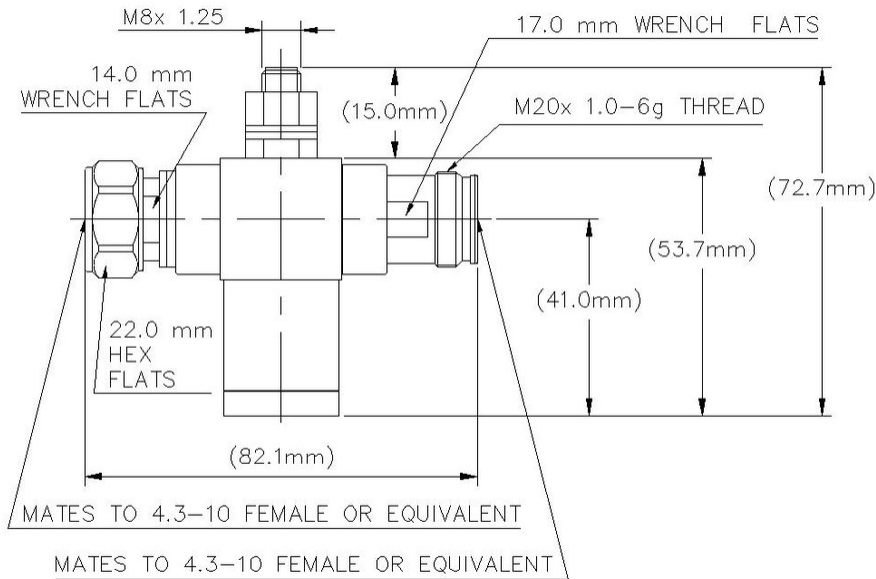
Height 72.7 mm | 2.862 in

Width 25 mm | 0.984 in

Length 82.1 mm | 3.232 in

Outline Drawing

APG-HFHM



Electrical Specifications

3rd Order IMD Gain	-115 dB
3rd Order IMD Test Method	Two +43 dBm carriers
Insertion Loss, typical	0.07 dB
Connector Impedance	50 ohm
Lightning Surge Current	10 kA
Lightning Surge Current Waveform	8/20 waveform
Operating Frequency Band	806 – 2170 MHz
Peak Instantaneous Power (PIP)	150 kW RF

VSWR/Return Loss

Frequency Band	VSWR	Return Loss (dB)
806–960 MHz	1.101	26.36
960–1710 MHz	1.21	20.5
1710–2000 MHz	1.101	26.36
2000–2170 MHz	1.15	23.13

Mechanical Specifications

Coupling Nut Proof Torque	10 N-m 88.507 in lb
Coupling Nut Retention Force	449.27 N 101 lbf

APG-HFHM

Coupling Nut Retention Force Method	MIL-C-39012C-3.25, 4.6.22
Interface Durability	100 cycles
Interface Durability Method	IEC 61169-16:9.5
Mechanical Shock Test Method	MIL-STD-202F, Method 213B, Test Condition C

Environmental Specifications

Operating Temperature	-45 °C to +85 °C (-49 °F to +185 °F)
Storage Temperature	-70 °C to +150 °C (-94 °F to +302 °F)
Attenuation, Ambient Temperature	20 °C 68 °F
Average Power, Ambient Temperature	40 °C 104 °F
Corrosion Test Method	MIL-STD-202, Method 101, Test Condition B
Immersion Depth	1 m
Immersion Test Mating	Mated
Immersion Test Method	IEC 60529:2001, IP68
Moisture Resistance Test Method	MIL-STD-202, Method 106
Thermal Shock Test Method	MIL-STD-202, Method 107, Test Condition A-1, Low Temperature -55 °C
Water Jetting Test Mating	Mated

Regulatory Compliance/Certifications

Agency	Classification
ISO 9001:2015	Designed, manufactured and/or distributed under this quality management system

* Footnotes

Insertion Loss, typical	0.05√freq (GHz) (not applicable for elliptical waveguide)
Immersion Depth	Immersion at specified depth for 24 hours