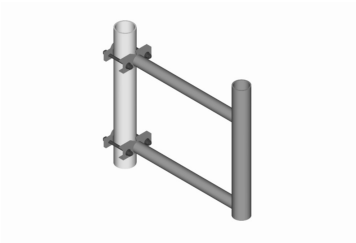


# DM-100

---



Microwave Antenna Stand-Off Bracket, 24 in

## Product Classification

**Product Type** Stand-off mount

## General Specifications

**Mounting** Straight or tapered legs up to 88.9 mm (3-1/2 in) OD

**Tower Taper** Non-tapered | Tapered

## Dimensions

**Height** 609.6 mm | 24 in

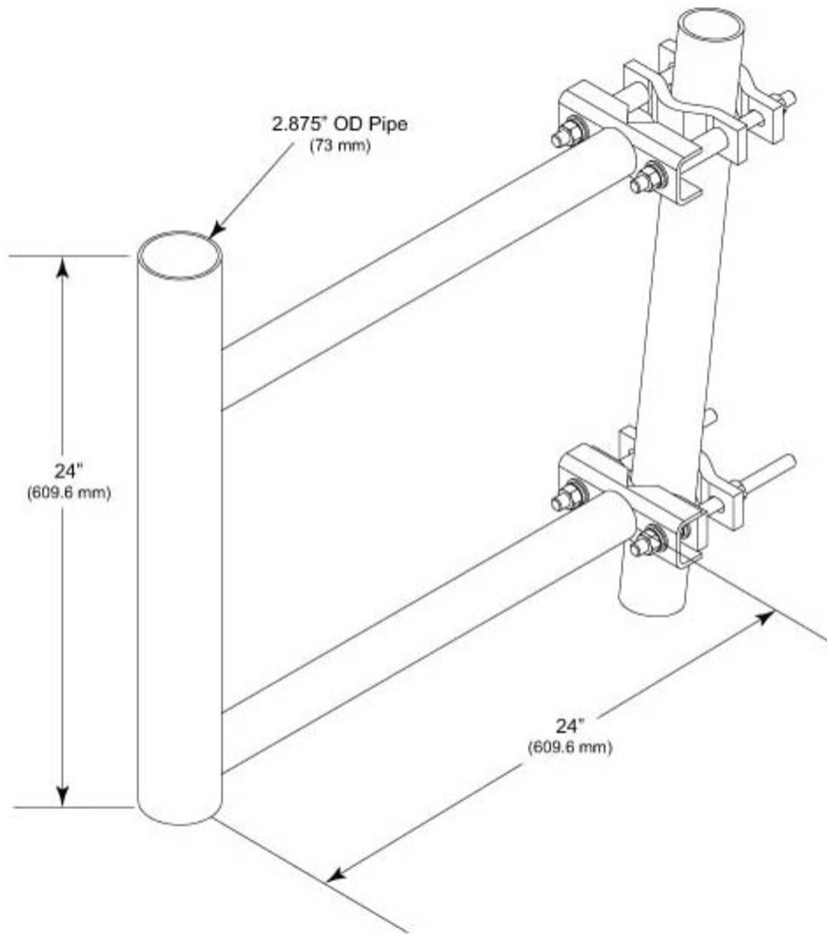
**Width** 152.4 mm | 6 in

**Length** 609.6 mm | 24 in

**Stand-off Distance** 609.6 mm | 24 in

# DM-100

## Outline Drawing



## Material Specifications

**Material Type** Hot dip galvanized steel

## Packaging and Weights

**Included** Clamps | Stand-off

**Packaging quantity** 1

**Weight, net** 14.3 kg | 31.526 lb

## Regulatory Compliance/Certifications

**Agency** **Classification**

# DM-100

---

CHINA-ROHS	Below maximum concentration value
ISO 9001:2015	Designed, manufactured and/or distributed under this quality management system
REACH-SVHC	Compliant as per SVHC revision on <a href="http://www.commscope.com/ProductCompliance">www.commscope.com/ProductCompliance</a>
ROHS	Compliant
UK-ROHS	Compliant

