



Structural Support Products

Microwave Antenna Application Product Selection Guide

March 2024

COMMSCOPE®

TABLE OF CONTENTS

TOWER MOUNTS	4
Leg Mounting Solutions	5
Application Guide	11
Face Mounting Solutions	13
Application Guide	19
Waveguide Protection Solutions	23
MONOPOLE MOUNTS	24
Low-profile Chain Mounts	25
Light Duty Chain Mounts	26
Heavy Duty Chain Mounts	27
Microwave Components.....	28
Application Guide	29
ROOF-TOP MOUNTS	31
Roof Frames	32
Mounting Components	34
WAVEGUIDE	37
Coaxial Support Components	38
Waveguide Bridge Components	39
Cable Ladder Kits	40
SITE RELATED	41
Microwave Ice Shields.....	42
Microwave Shield Mounts	43
Microwave Ice Shields.....	45
Components	46
Equipment Platforms	47
Ice and Rain Components	48
Handrail and Step Kits	49

SELECTION GUIDE

Tower Mounts

Universal Pipe Mount Kits

Page 5



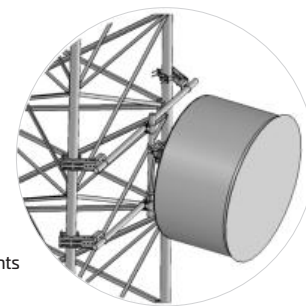
Microwave Dish Strut Support

Page 7



Tower Face Mounts

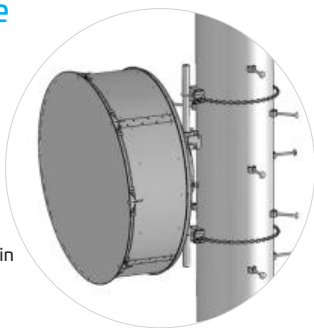
Page 13



Monopole Mounts

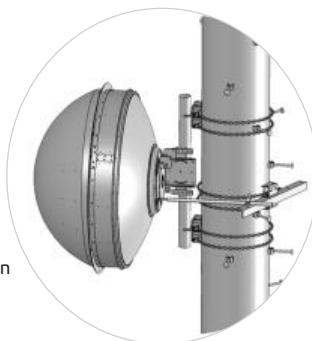
Low-profile Chain Mounts

Page 25



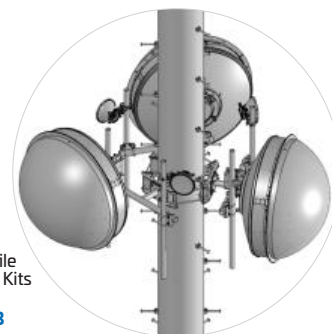
Heavy Duty Chain Mounts

Page 27



Low-profile Co-location Kits

Page 28



Roof-top Mounts

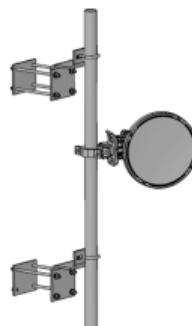
Universal Tripod Mounts

Page 32



Wall Mounts

Page 35



Roof-top Peak Mounts

Page 36



Waveguide

Coaxial Supports

Page 38



Waveguide Bridge Kits

Page 39



Universal Cable Ladder Kits

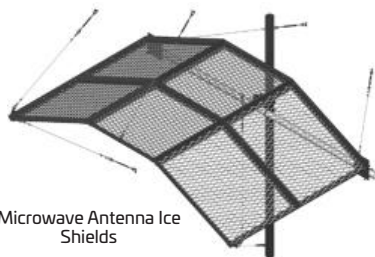
Page 40



Site Related Components

Microwave Antenna Ice Shields

Page 42



Power Telco Racks

Page 46



Equipment Platforms

Page 47





TOWER MOUNTS

- Tower Leg Mounting Solutions
- Tower Face Mounting Solutions

Universal Sliding Pipe Mount Kits

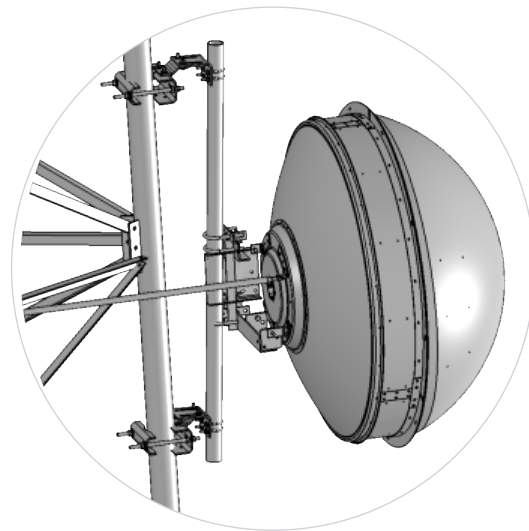
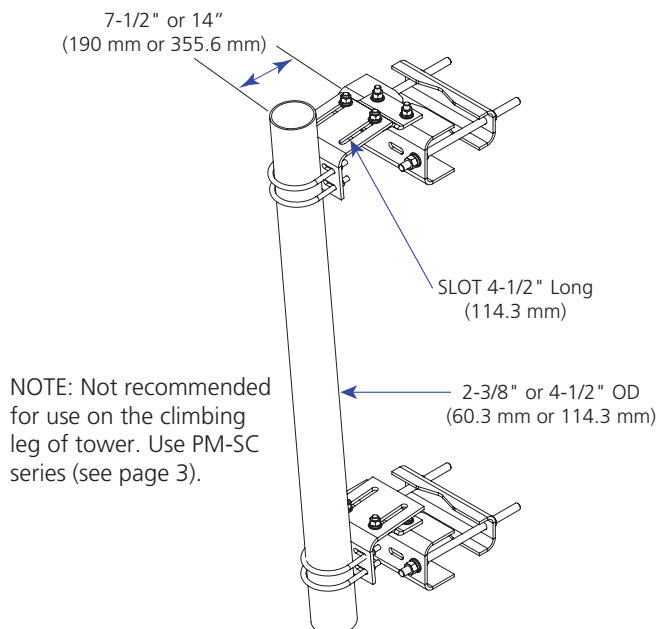
Application:	Lattice towers
Size:	2-3/8" (60.3 mm) OD or 4-1/2" (114.3 mm) OD
Design:	Pipe with saddle mount and adjustable clamps
Feature:	Universal sliding bracket with up to 7° of taper
Mounts to:	Straight or tapered legs up to 16" (406.4 mm) OD, 16" (406.4 mm) angle 60°, or 12" (304.8 mm) angle 90°
Material:	Hot dip galvanized steel
Includes:	Universal saddle mount, sliding pipe mount brackets, with or without pipe
Order Separately:	Pipes for base kits

Wind Rating*: 120 mph (BWS) per latest revision of ANSI/TIA-222 at 150' AGL

* Typical installation of one 8' microwave antenna with strut/stiff arm

Universal Sliding Pipe Mount Kits

MOUNTING	Pipes Included	Stand-off	CommScope Material ID	
For Round or 60° Angle Legs up to 8" (203.2 mm) or 90° Angle Legs up to 6" (152.4 mm)	None	N/A	PM-SU2-B	
	2-3/8" OD x 72" (60.3 mm OD x 1.8 m)		PM-SU2-72	
	2-3/8" OD x 96" (60.3 mm OD x 2.4 m)		PM-SU2-96	
	For Round or 60° Angle Legs up to 16" (406.4 mm) or 90° Angle Legs up to 12" (304.8 mm)	None	14" (355.6 mm)	PM-SU2L-B
		2-3/8" OD x 72" (60.3 mm OD x 1.8 m)		PM-SU2L-72
		2-3/8" OD x 96" (60.3 mm OD x 2.4 m)		PM-SU2L-96
For Round or 60° Angle Legs up to 16" (406.4 mm) or 90° Angle Legs up to 12" (304.8 mm)		None	N/A	PM-SU4-B
		4-1/2" OD x 63" (114.3 mm OD x 1.6 m)		PM-SU4-63
		4-1/2" OD x 96" (114.3 mm OD x 2.4 m)		PM-SU4-96
	For Round or 60° Angle Legs up to 16" (406.4 mm) or 90° Angle Legs up to 12" (304.8 mm)	None	14" (355.6 mm)	PM-SU4L-B
		4-1/2" OD x 63" (114.3 mm OD x 1.6 m)		PM-SU4L-63
		4-1/2" OD x 96" (114.3 mm OD x 2.4 m)		PM-SU4L-96
For Round or 60° Angle Legs up to 16" (406.4 mm) or 90° Angle Legs up to 12" (304.8 mm)		None	N/A	PML-SU2-B
		2-3/8" OD x 72" (60.3 mm OD x 1.8 m)		PML-SU2-72
		2-3/8" OD x 96" (60.3 mm OD x 2.4 m)		PML-SU2-96
	For Round or 60° Angle Legs up to 16" (406.4 mm) or 90° Angle Legs up to 12" (304.8 mm)	None	14" (355.6 mm)	PML-SU2L-B
		2-3/8" OD x 72" (60.3 mm OD x 1.8 m)		PML-SU2L-72
		2-3/8" OD x 96" (60.3 mm OD x 2.4 m)		PML-SU2L-96
For Round or 60° Angle Legs up to 16" (406.4 mm) or 90° Angle Legs up to 12" (304.8 mm)		None	N/A	PML-SU4-B
		4-1/2" OD x 63" (114.3 mm OD x 1.6 m)		PML-SU4-63
		4-1/2" OD x 96" (114.3 mm OD x 2.4 m)		PML-SU4-96
	For Round or 60° Angle Legs up to 16" (406.4 mm) or 90° Angle Legs up to 12" (304.8 mm)	None	14" (355.6 mm)	PML-SU4L-B
		4-1/2" OD x 63" (114.3 mm OD x 1.6 m)		PML-SU4L-63
		4-1/2" OD x 96" (114.3 mm OD x 2.4 m)		PML-SU4L-96



TOWER MOUNTS

Leg Mounting Solutions

Universal Pipe Mount Kits

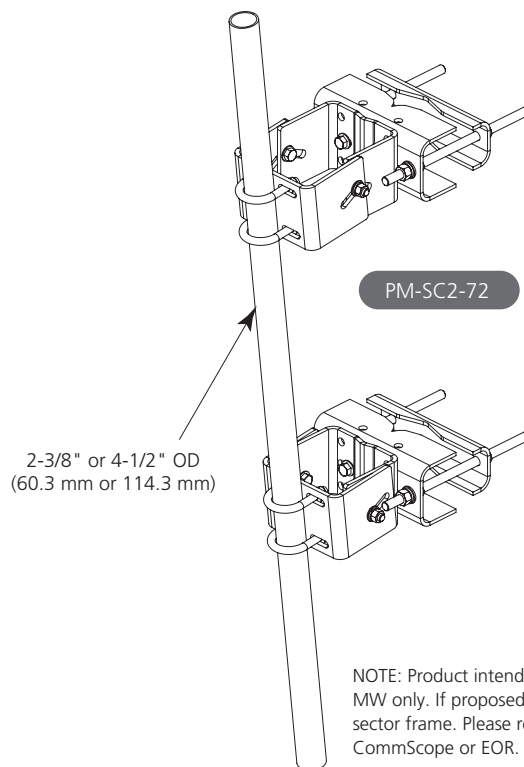
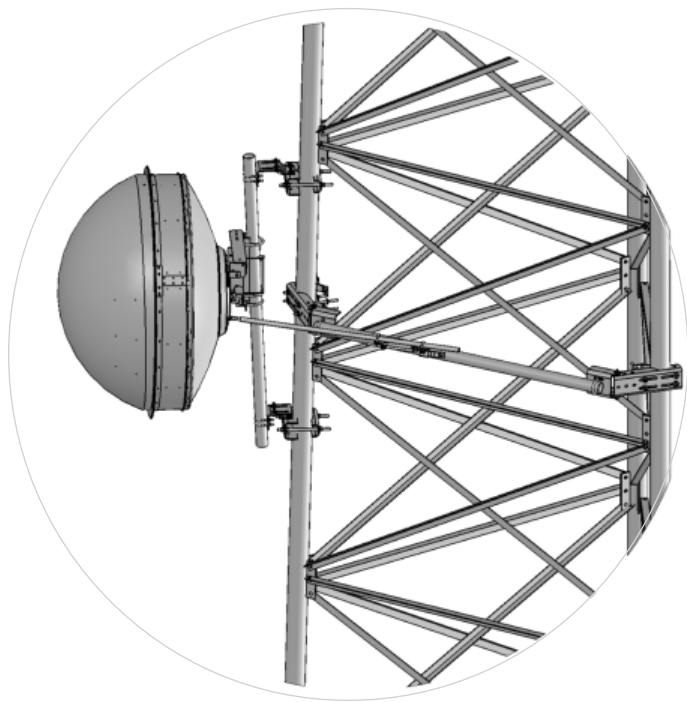
Application:	Antenna leg mounting for round or angle towers
Size:	2-3/8" (60.3 mm) OD or 4-1/2" (114.3 mm) OD
Design:	Pipe with saddle mount and adjustable clamps
Feature:	Open face taper adjustment
Mounts to:	Straight or tapered legs up to 16" (406.4 mm) OD, 16" (406.4 mm) angle 60°, or 12" (304.8 mm) angle 90°
Material:	Hot dip galvanized steel
Includes:	Universal saddle mount, taper adjustment brackets, with or without pipe
Order Separately:	Pipes for base kits

Universal Sliding Pipe Mount Kits

Mounting	Pipes Included	CommScope Material ID
For Round or 60° Angle Legs up to 8" (203.2 mm) or 90° Angle Legs up to 6" (152.4 mm)	None	PML-SC2-B
	2-3/8" OD x 72" (60.3 mm OD x 1.8 m)	PML-SC2-72
	2-3/8" OD x 96" (60.3 mm OD x 2.4 m)	PML-SC2-96
	None	PML-SC4-B
For Round or 60° Angle Legs up to 16" (406.4 mm) or 90° Angle Legs up to 12" (304.8 mm)	4-1/2" OD x 63" (114.3 mm OD x 1.6 m)	PML-SC4-63
	4-1/2" OD x 96" (114.3 mm OD x 2.4 m)	PML-SC4-96
	None	PML-SC2-B
	2-3/8" OD x 72" (60.3 mm OD x 1.8 m)	PML-SC2-72
	2-3/8" OD x 96" (60.3 mm OD x 2.4 m)	PML-SC2-96
	None	PML-SC4-B
	4-1/2" OD x 63" (114.3 mm OD x 1.6 m)	PML-SC4-63
	4-1/2" OD x 96" (114.3 mm OD x 2.4 m)	PML-SC4-96

Wind Rating*: 120 mph (BWS) per latest revision of ANSI/TIA-222 at 150' AGL

* Typical installation of one 8' microwave antenna with strut/stiff arm



NOTE: Product intended for MW only. If proposed use is for sector frame. Please reach out to CommScope or EOR.

TOWER MOUNTS

Leg Mounting Solutions

Microwave Dish Support

Application:	Structural strut supports for round or angle tower legs
Size:	4', 6', 8', or 10' (1.2 m, 1.8 m, 2.4 m, or 3.1 m) Tower faces
Design:	Round or angle strut support kits
Feature:	Tower face strut support kits
Mounts to:	Straight or tapered legs up to 16" (406.4 mm) OD, 16" (406.4 mm) angle 60°, or 12" (304.8 mm) angle 90°
Material:	Hot dip galvanized steel

Tower Face Mounted Microwave Dish Channel Support Kit

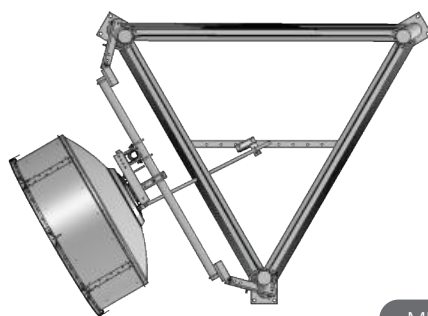
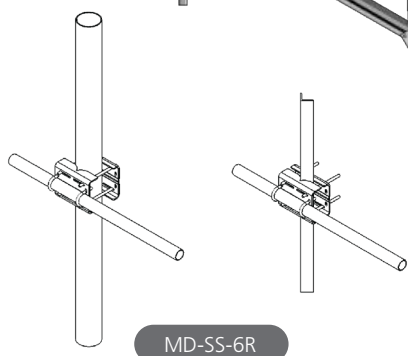
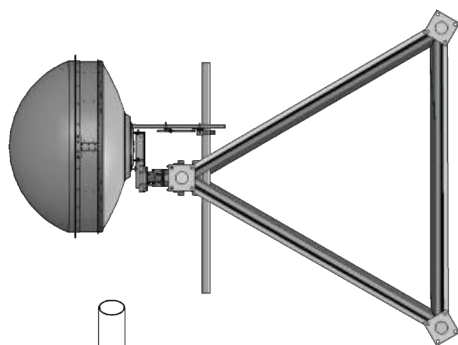
Mounting	Pipes Included	CommScope Material ID
For Round or 60° Angle Legs up to 8" (203.2 mm) or 90° Angle Legs up to 6" (152.4 mm)	6' (1.8 m)	MD-CS-6R
	8' (2.4 m)	MDL-CS-8R
	10' (3.1 m)	MD-CS-10R
For Round or 60° Angle Legs up to 16" (406.4 mm) or 90° Angle Legs up to 12" (304.8 mm)	6' (1.8 m)	MDL-CS-6R
	8' (2.4 m)	MDL-CS-8R
	10' (3.1 m)	MDL-CS-10R

Tower Leg Mounted Microwave Dish Channel Support Kit

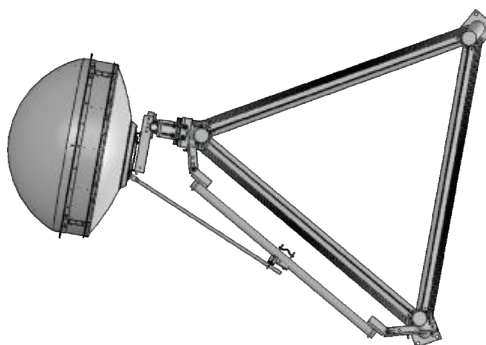
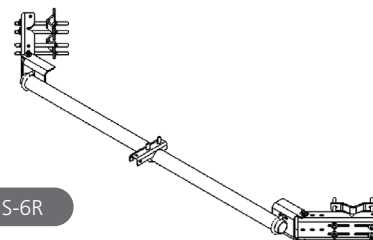
Mounting	Pipes Included	CommScope Material ID
For Round or 60° Angle Legs up to 8" (203.2 mm) or 90° Angle Legs up to 6" (152.4 mm)	6' (1.8 m)	MD-SS-6R
	8' (2.4 m)	MD-SS-8R
For Round or 60° Angle Legs up to 16" (406.4 mm) or 90° Angle Legs up to 12" (304.8 mm)	6' (1.8 m)	MDL-SS-6R
	8' (2.4 m)	MDL-SS-8R

Microwave Dish Face Strut Support

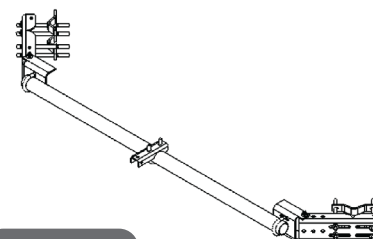
Dimensions	CommScope Material ID
3/8" x 3" x 3" x 5' 6" (9.5 mm x 76.2 mm x 76.2 mm x 1.7m)	MD-FSS



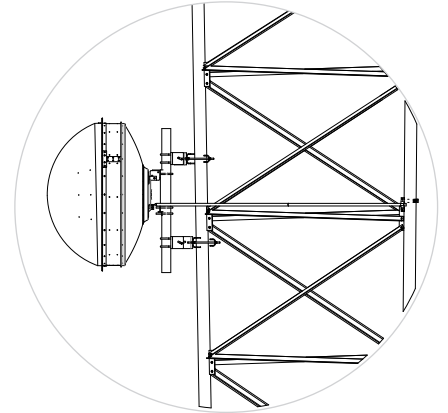
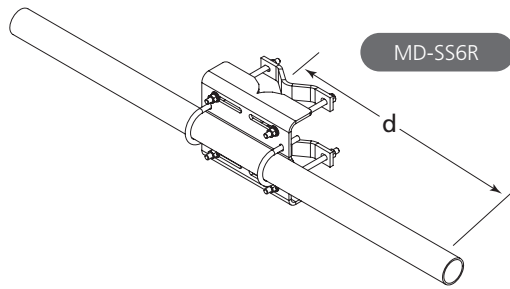
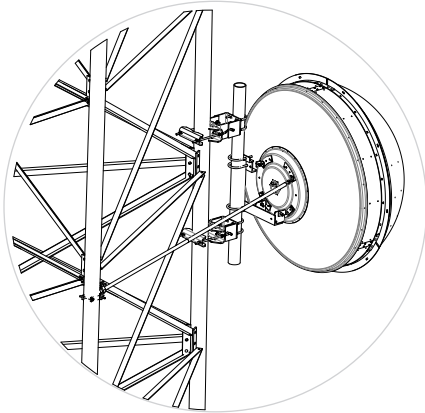
MD-CS-6R



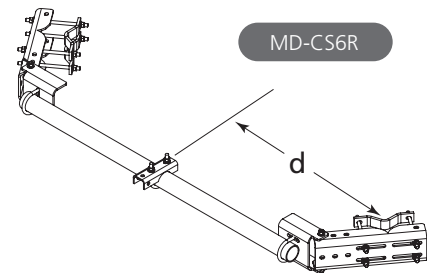
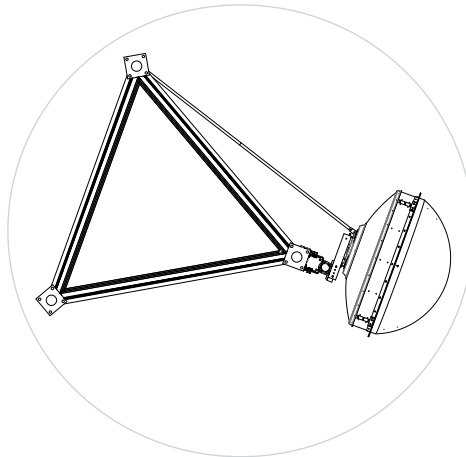
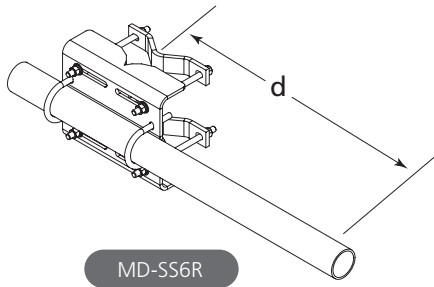
MD-FSS



NOTE: It is assumed that a licensed and qualified structural engineer has reviewed the tower structure for the loads created by the microwave antennas and strut supports.



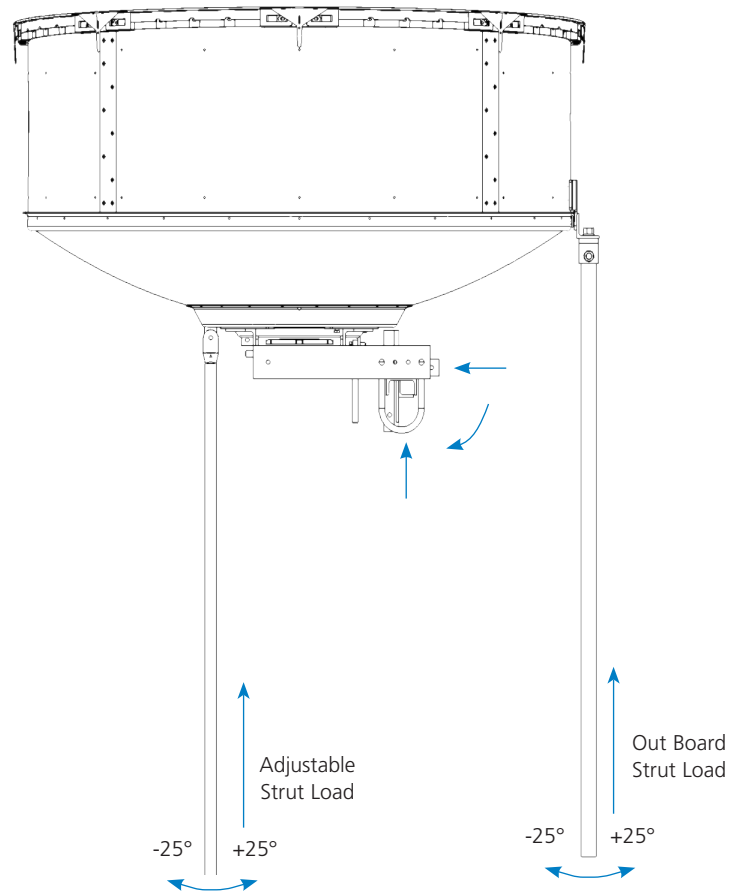
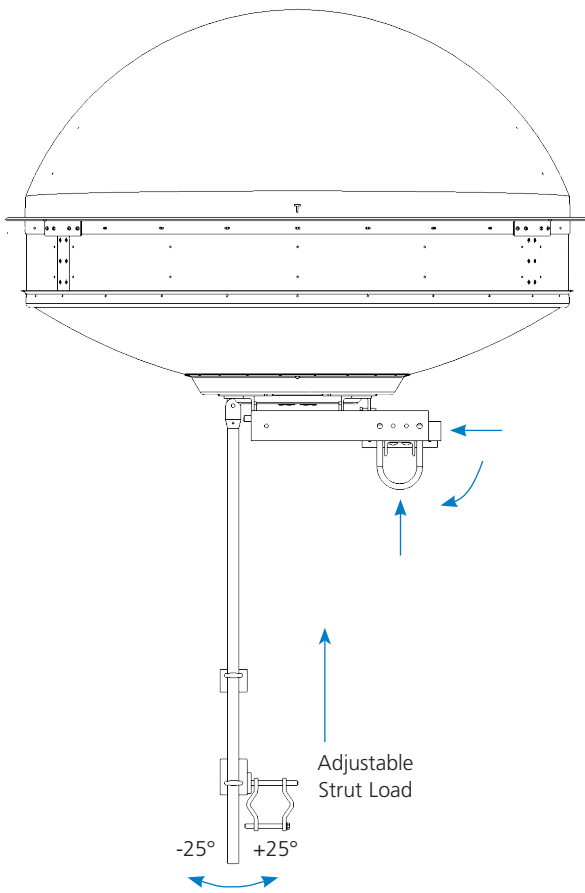
USAGE	MD-SS6R	MD-SS8R	MD-SS10R
Saddle Mount Attached in Center of Pipe			
Max. distance from leg (d)	36"	48"	60"
Acceptable Load	2500 lb	2000 lb	1500 lb



USAGE	MD-SS6R	MD-SS8R	MD-SS10R
Saddle Mount Attached at One End of Pipe			
Max. distance from leg (d)	60"	84"	108"
Acceptable Load	1500 lb	1000 lb	500 lb

USAGE	MD-CS6R	MD-CS8R	MD-CS10R
Pipe Attached at Each End to Tower Leg Mount			
Max. distance from legs (d)	36"	48"	60"
Acceptable Load	2500 lb	2500 lb	2500 lb

Leg Mounting Solutions



Size ft. (m)	Adjustable Strut Force, lb (N)	Fixed Strut Force, lb (N)
4 (1.2)	500 (2200)	—
6 (1.8)	1400 (9207)	—
8 (2.4)	958 (4261)	1265 (5627)
10 (3.0)	1320 (5871)	1987 (8838)
12 (3.7)	1799 (8001)	2585 (11498)

A 4' dish strut/stiff arm can see in survival winds up to 600 lbs. of load, and in working load wind conditions the mount cannot flex or deflect more than 0.1". A six foot dish strut/stiff arm can see in survival winds up to 1400 lbs of load, and in working load wind conditions the mount cannot flex or deflect more than 0.1". In addition this arm must have a horizontal angle of less than 25° and less than 5° in the vertical direction."

(Illustration on Page 22)

Microwave Strut Support

Application:	Structural strut supports for round or angle tower legs
Size:	21" (533.4 mm) channel
Design:	Universal support bracket
Feature:	Universal strut attachment
Mounts to:	Straight or tapered legs up to 16" (406.4 mm) OD, 16" (406.4 mm) angle 60°, or 12" (304.8 mm) angle 90°
Material:	Hot dip galvanized steel
Includes:	Support bracket, attachment hardware
Order Separately:	Microwave strut pipe or angle, u-bolt

Microwave Strut Attachment Bracket

Pipe Compatibility	CommScope Material ID
For 2-3/8" (60.3 mm) OD Pipe	TF-MSS-BK2
For 3-1/2" (88.9 mm) OD Pipe	TF-MSS-BK
For 4-1/2" (114.3 mm) OD Pipe	TF-MSS-BK45
For 2-3/8" - 3-1/2" (60.3 - 88.9 mm) OD Pipe	TF-MSS-BK-U

Microwave Dish Strut Support Bracket

Mounting

For Round or 60° Angle Legs up to 8" (203.2 mm) or 90° Angle Legs up to 6" (152.4 mm)

For Round or 60° Angle Legs up to 16" (406.4 mm) or 90° Angle Legs up to 12" (304.8 mm)

Pipes Compatibility

Universal - for Mounting up to 3-1/2" (88.9 mm) pipes

Universal - for Mounting up to 4-1/2" (114.3 mm) pipes

Face Mounted (Kit of 2) - for Mounting up to 3-1/2" (88.9 mm) pipes

Face Mounted (Kit of 2) - for Mounting up to 3-1/2" (88.9 mm) pipes

Universal - for Mounting up to 3-1/2" (88.9 mm) pipes

Universal - for Mounting up to 4-1/2" (114.3 mm) pipes

Face Mounted (Kit of 2) - for Mounting up to 3-1/2" (88.9 mm) pipes

Face Mounted (Kit of 2) - for Mounting up to 3-1/2" (88.9 mm) pipes

CommScope Material ID

[MD-CS](#)

[MD-CSL](#)

[MD-CS-F](#)

[MD-CS-B](#)

[MDL-CS](#)

[MDL-CSL](#)

[MDL-CS-F](#)

[MDL-CS-B](#)

Microwave Dish Strut Vertical Support Bracket

[MD-VSS-B](#)

Tie Back Support Angle -3/8" x 4" x 4" x 48"

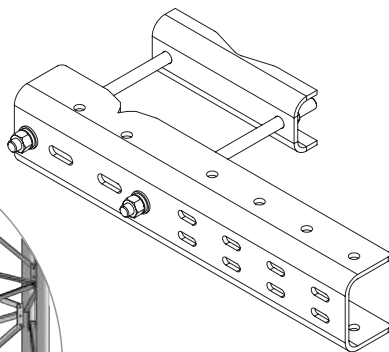
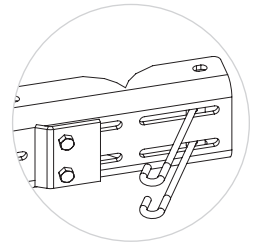
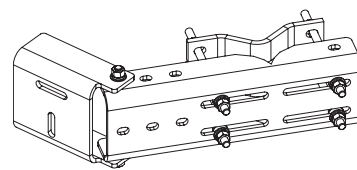
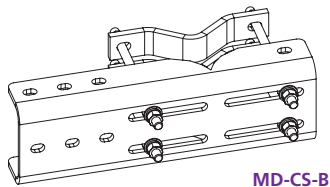
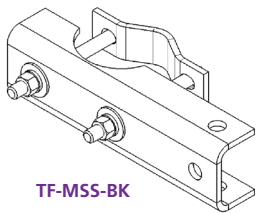
MD-CSA4

Tie Back Support Angle - 3/8" x 4" x 4" x 72"

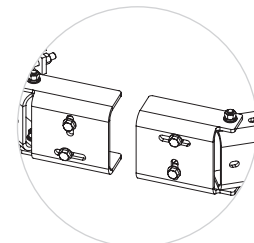
MD-CSA6

Tie Back Support Angle -3/8" x 4" x 4" x 96"

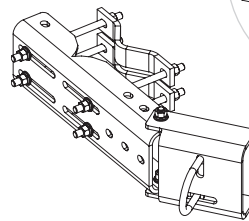
MD-CSA8



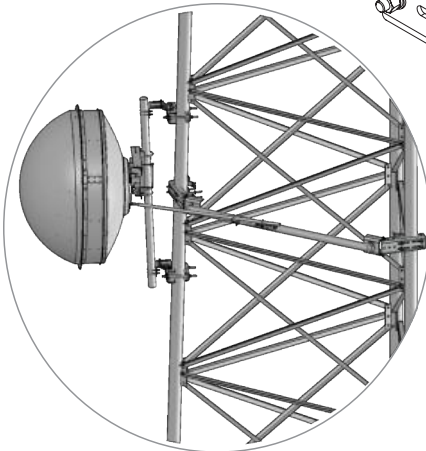
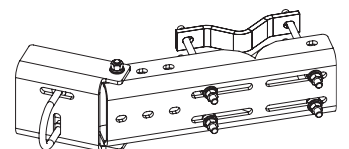
MD-CS-F

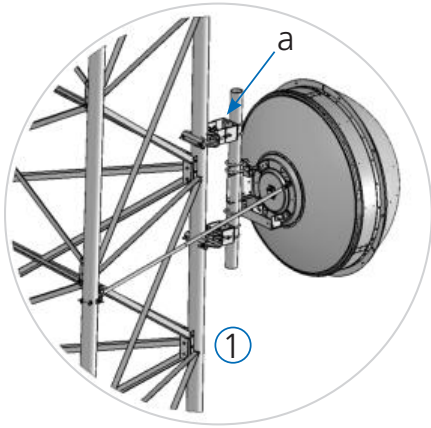


Set up with bolts on face

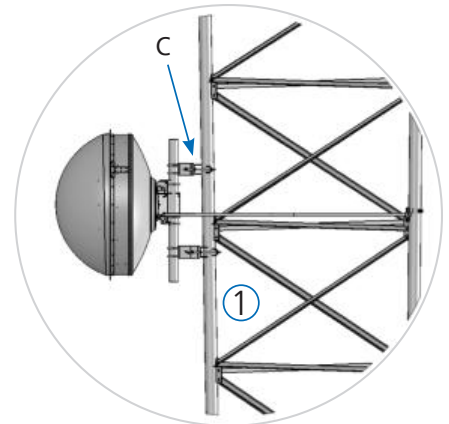
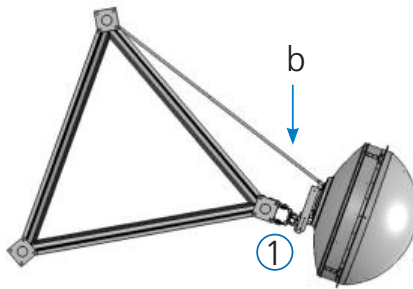


Set up with U-bolt on Face



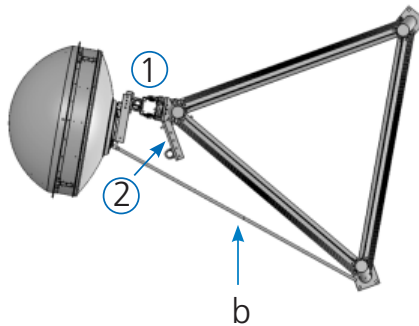


- a. Open face allows safety climb to pass through
- b. Strut returns back to tower at recommended angle
- c. Taper adjustment allows for vertical mounting solution



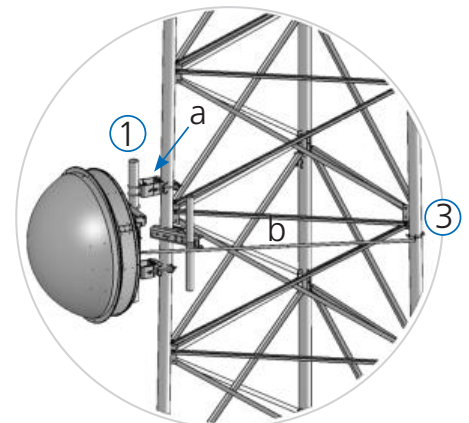
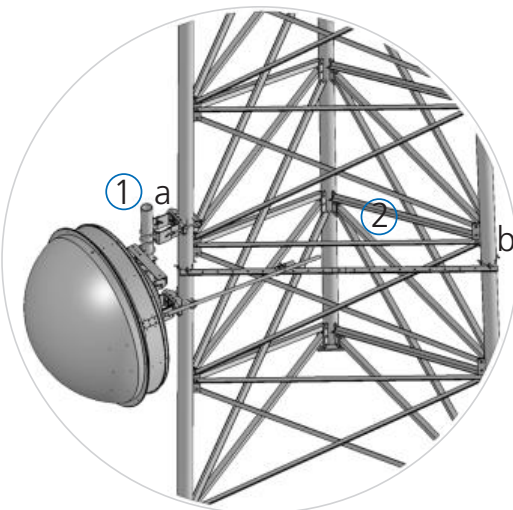
Key	Part Number	Description	Page #
1	PM-SC4-63	Universal Pipe Mount Kit With Open Face	6
2	MD-VSS	Microwave Dish Vertical Strut Support	10
3	MD-FSS	Microwave Dish Face Strut Support	7

* Shown with CommScope antennas and supports

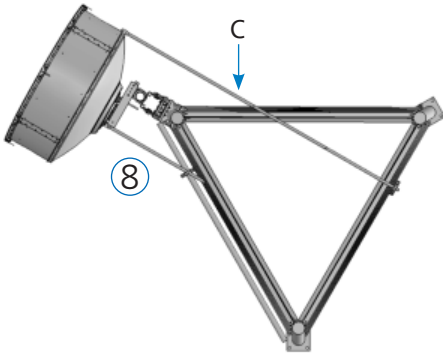


- a. Sliding taper brackets allow for 7° of non-incremental adjustment
- b. Strut returns straight back to tower

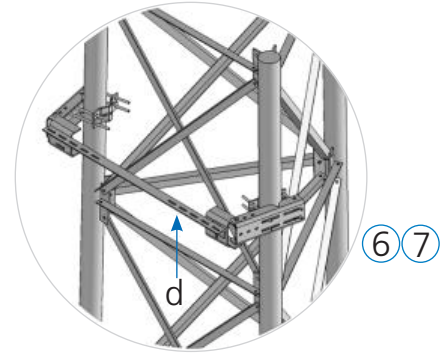
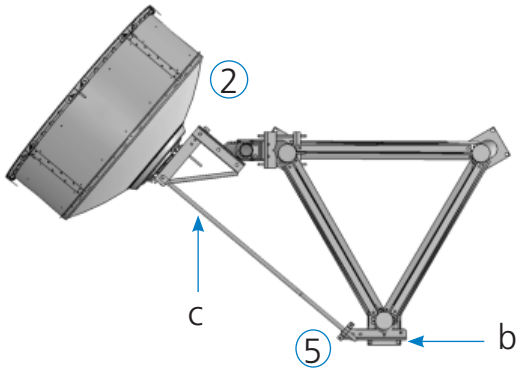
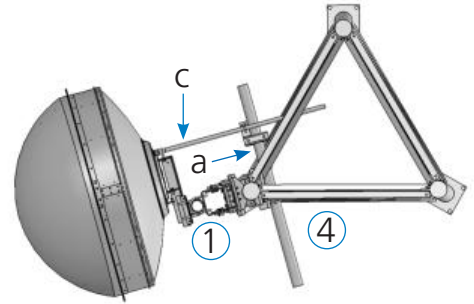
Note: Universal saddle mounts up to 8" (203.2 mm) dia. straight or taper legs



IMPORTANT TO KNOW: A competent and trained person should always inspect the safety guide on every tower before use.

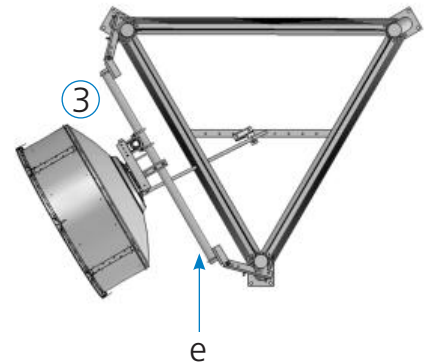
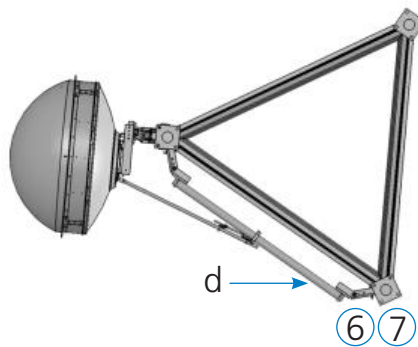
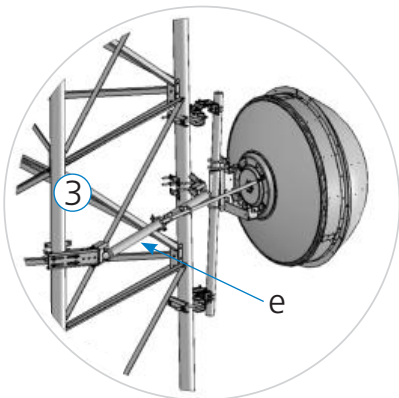


- a. MD-SS-6R Provides strut support for off-set single leg attachments
- b. MD-CS-B Universal strut support for round or angle legs
- c. Strut returns straight back to tower at recommended angle
- d. MD-CS-F Will allow MD-CSA6 to attach to tower face with universal attachment brackets



Key	Part Number	Description	Page #
1	PM-SC4-63	Universal Pipe Mount Kit With Open Face	6
2	PM-SU4-63	Universal Pipe Mount Kit	5
3	MD-CS-6R	Tower Face Mounted Dish Strut Support Kit	7
4	MD-SS-6R	Tower Leg Mounted Dish Strut Support Kit	7
5	MD-CS-B	Microwave Dish Strut Support Bracket	10
6	MD-CS-F	Tower Face Mounted Dish Strut Support Kit	10
7	MD-CSA6	Microwave Dish Strut Support Angle	10
8	TF-M3-8	Tower Face Mount with Dual Face Support	13

* Shown with CommScope antennas and supports



- e. MD-CS-6R Provides strut support for the tower face with universal leg attachment brackets

TOWER MOUNTS

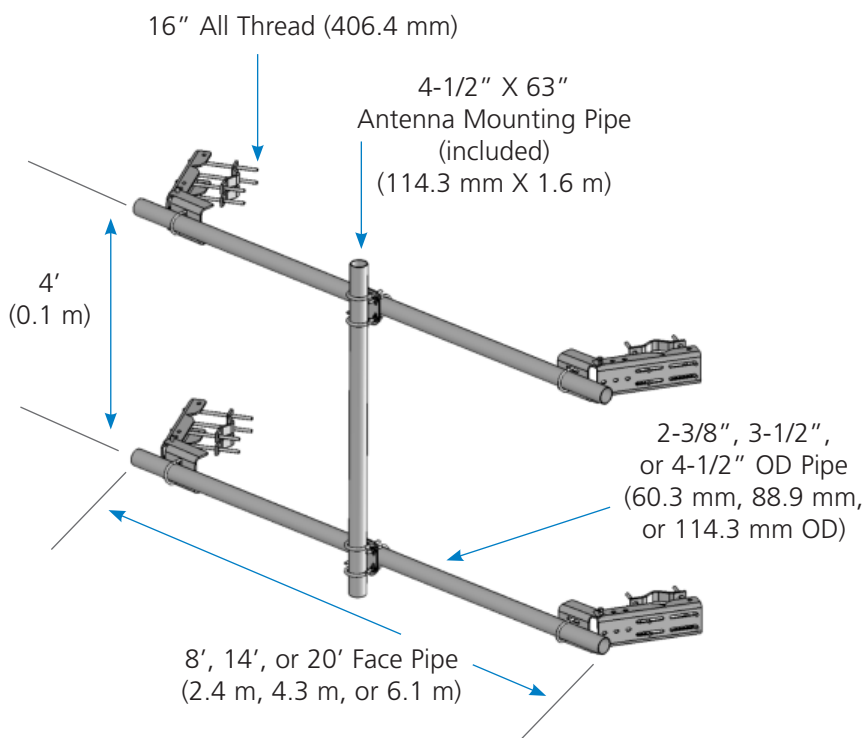
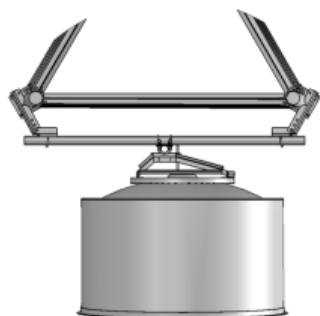
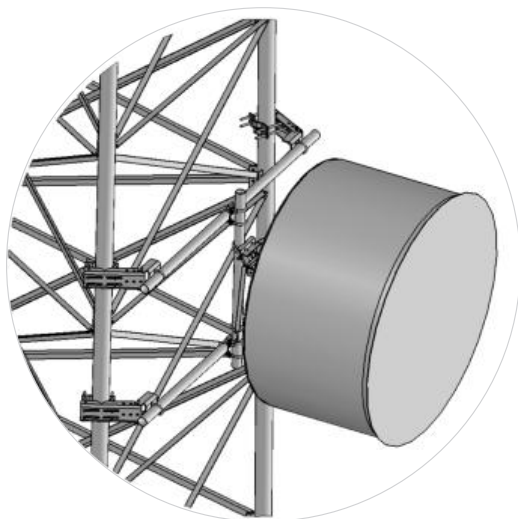
Face Mounting Solutions

Tower Face Mounts

Application:	Microwave antenna face mounting for round or angle, straight or tapered legs
Size:	8' (2.4 m), 14' (4.2 m), or 20' (6.1 m) face widths
Design:	Pipe with saddle mounts and adjustable clamps
Feature:	Universal taper adjustment for up to 9° of taper with 48" of separation
Mounts to:	Straight or tapered legs up to 16" (406.4 mm) OD, 16" (406.4 mm) angle 60°, or 12" (304.8 mm) angle 90°
Material:	Hot dip galvanized steel
Includes:	Universal saddle mounts, slider brackets, pipe, crossover plates, hardware
Order Separately:	Strut support kits, stand-off brackets

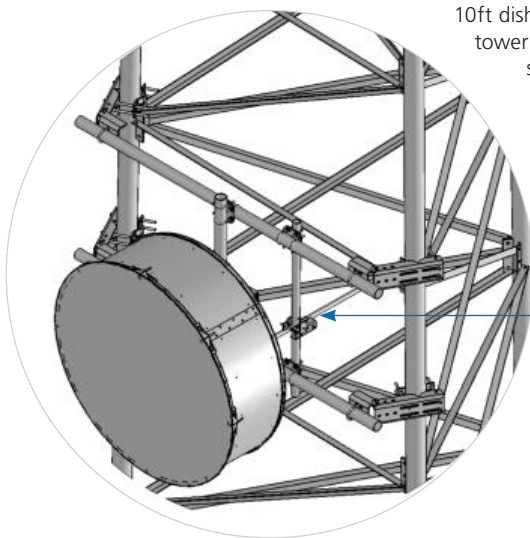
Tower Face Mount With Dual Face Supports

MOUNTING	Face Support Dimensions	Pipe Included	CommScope Material ID
For Round or 60° Angle Legs up to 8" (203.2 mm) or 90° Angle Legs up to 6" (152.4 mm)	8' x 2-3/8" OD (2.4 m x 60.3 mm OD)	4-1/2" OD x 63" (114.3 mm OD x 1.6 m) Antenna Pipe	TF-M2-8
	14' x 2-3/8" OD (4.3 m x 60.3 mm OD)		TF-M2-14
	20' x 2-3/8" OD (6.1 m x 60.3 mm OD)		TF-M2-20
	8' x 3-1/2" OD (2.4 m x 88.9 mm OD)		TF-M3-8
	14' x 3-1/2" OD (4.3 m x 88.9 mm OD)		TF-M3-14
	20' x 3-1/2" OD (6.1 m x 88.9 mm OD)		TF-M3-20
	8' x 4-1/2" OD (2.4 m x 114.3 mm OD)		TF-M4-8
For Round or 60° Angle Legs up to 16" (406.4 mm) or 90° Angle Legs up to 12" (304.8 mm)	8' x 2-3/8" OD (2.4 m x 60.3 mm OD)	4-1/2" OD x 63" (114.3 mm OD x 1.6 m) Antenna Pipe	TFL-M2-8
	14' x 2-3/8" OD (4.3 m x 60.3 mm OD)		TFL-M2-14
	20' x 2-3/8" OD (6.1 m x 60.3 mm OD)		TFL-M2-20
	8' x 3-1/2" OD (2.4 m x 88.9 mm OD)		TFL-M3-8
	14' x 3-1/2" OD (4.3 m x 88.9 mm OD)		TFL-M3-14
	20' x 3-1/2" OD (6.1 m x 88.9 mm OD)		TFL-M3-20
	8' x 4-1/2" OD (2.4 m x 114.3 mm OD)		TFL-M4-8
14' x 4-1/2" OD (4.3 m x 114.3 mm OD)	TFL-M4-14		



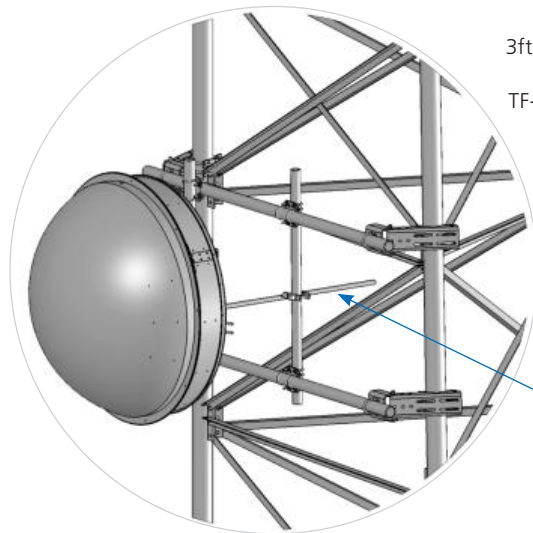
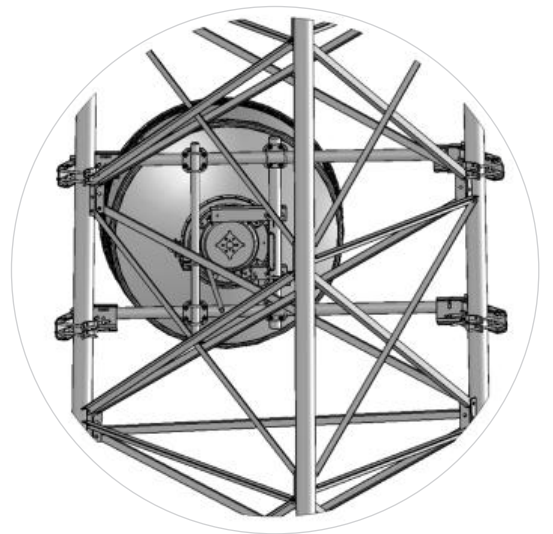
Face Mounting Solutions

Microwave Antenna Diameter	Tower Face Mount							
	TF-M2-8	TF-M2-14	TF-M2-20	TF-M3-8	TF-M3-14	TF-M3-20	TF-M4-8	TF-M4-14
2' (0.6 m)	X	X	X	X	X	X	X	X
4' (1.2 m)	X	X	X	X	X	X	X	X
6' (1.8 m)	X	-	-	X	X	X	X	X
8' (2.4 m)	-	-	-	X	X	X	X	X
10' (3.1 m)	-	-	-	X	X	X	X	X
12' (3.7 m)	-	-	-	X	X	-	X	X
15' (4.6 m)	-	-	-	-	-	-	X	-



10ft dish shown on 20ft face tower using TF-M3S2-20 series mount.

See Note Below

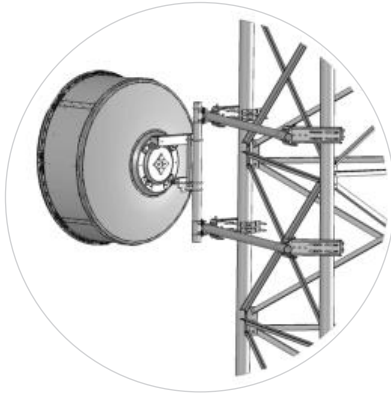


3ft dish shown on 4ft face tower using TF-M2S-8 series mount.

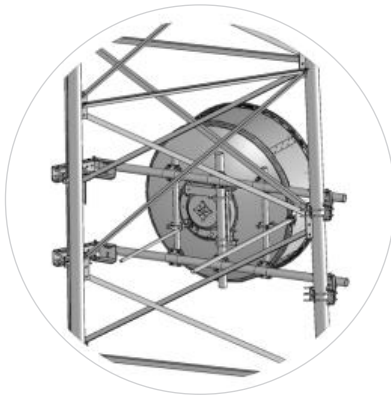
NOTE: A good practice, after the path is set, is to cut the excess strut/stiff arm 12" past the mount point, to prevent falling ice from hitting the strut and affecting the path. Treat cut edge per ASTM A123.

Face Mounts With Single Strut or Dual Strut Support

Application:	Microwave antenna face mounting for round or angle, straight or tapered legs
Size:	8', 14', or 20' (2.4 m, 4.2 m, or 6.1 m) Face widths
Design:	Pipe with saddle mounts and adjustable clamps
Feature:	Universal taper adjustment for up to 9° of taper with 48" (1.2 m) of separation
Mounts to:	Straight or tapered legs up to 16" (406.4 mm) OD, 16" (406.4 mm) angle 60°, or 12" (304.8 mm) angle 90°
Material:	Hot dip galvanized steel
Includes:	Universal saddle mounts, slider brackets, pipe, crossover plates, tieback supports, hardware
Order Separately:	Stand-off brackets



TF-M3S Series



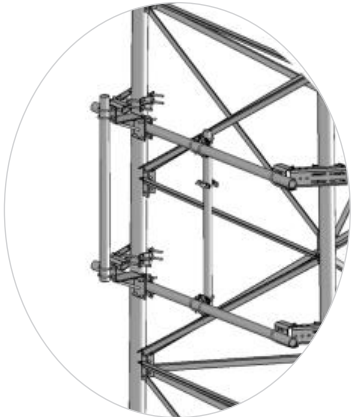
TFL-M3S2 Series

Tower Face Mounts With Single Strut Support

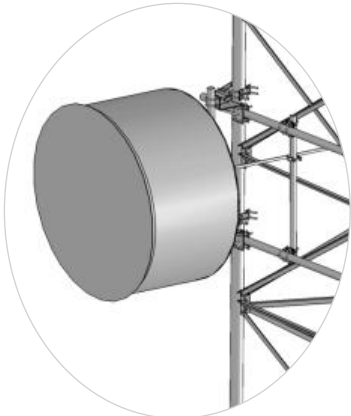
Mounting	Face Support Dimensions	Strut Support Included	Pipe Included	CommScope Material ID
For Round or 60° Angle Legs up to 8" (203.2 mm) or 90° Angle Legs up to 6" (152.4 mm)	8' x 2-3/8" OD (2.4 m x 60.3 mm OD)	One 2-3/8" x 63" (60.3 mm x 1.6 m) Strut Support	4-1/2" OD x 63" (114.3 mm OD x 1.6 m) Antenna Pipe	TF-M2S-8
	14' x 2-3/8" OD (4.3 m x 60.3 mm OD)			TF-M2S-14
	20' x 2-3/8" OD (6.1 m x 60.3 mm OD)			TF-M2S-20
	8' x 3-1/2" OD (2.4 m x 88.9 mm OD)			TF-M3S-8
	14' x 3-1/2" OD (4.3 m x 88.9 mm OD)			TF-M3S-14
	20' x 3-1/2" OD (6.1 m x 88.9 mm OD)			TF-M3S-20
	8' x 4-1/2" OD (2.4 m x 114.3 mm OD)			TF-M4S-8
For Round or 60° Angle Legs up to 16" (406.4 mm) or 90° Angle Legs up to 12" (304.8 mm)	14' x 4-1/2" OD (4.3 m x 114.3 mm OD)	One 2-3/8" x 63" (60.3 mm x 1.6 m) Strut Support	4-1/2" OD x 63" (114.3 mm OD x 1.6 m) Antenna Pipe	TF-M4S-14
	8' x 2-3/8" OD (2.4 m x 60.3 mm OD)			TFL-M2S-8
	14' x 2-3/8" OD (4.3 m x 60.3 mm OD)			TFL-M2S-14
	20' x 2-3/8" OD (6.1 m x 60.3 mm OD)			TFL-M2S-20
	8' x 3-1/2" OD (2.4 m x 88.9 mm OD)			TFL-M3S-8
	14' x 3-1/2" OD (4.3 m x 88.9 mm OD)			TFL-M3S-14
	20' x 3-1/2" OD (6.1 m x 88.9 mm OD)			TFL-M3S-20
8' x 4-1/2" OD (2.4 m x 114.3 mm OD)	TFL-M4S-8			
14' x 4-1/2" OD (4.3 m x 114.3 mm OD)	TFL-M4S-14			

Tower Face Mounts With Dual Strut Support

Mounting	Face Support Dimensions	Strut Support Included	Pipe Included	CommScope Material ID
For Round or 60° Angle Legs up to 8" (203.2 mm) or 90° Angle Legs up to 6" (152.4 mm)	8' x 2-3/8" OD (2.4 m x 60.3 mm OD)	Two 2-3/8" x 63" (60.3 mm x 1.6 m) Strut Support	4-1/2" OD x 63" (114.3 mm OD x 1.6 m) Antenna Pipe	TF-M2S2-8
	14' x 2-3/8" OD (4.3 m x 60.3 mm OD)			TF-M2S2-14
	20' x 2-3/8" OD (6.1 m x 60.3 mm OD)			TF-M2S2-20
	8' x 3-1/2" OD (2.4 m x 88.9 mm OD)			TF-M3S2-8
	14' x 3-1/2" OD (4.3 m x 88.9 mm OD)			TF-M3S2-14
	20' x 3-1/2" OD (6.1 m x 88.9 mm OD)			TF-M3S2-20
	8' x 4-1/2" OD (2.4 m x 114.3 mm OD)			TF-M4S2-8
For Round or 60° Angle Legs up to 16" (406.4 mm) or 90° Angle Legs up to 12" (304.8 mm)	14' x 4-1/2" OD (4.3 m x 114.3 mm OD)	Two 2-3/8" x 63" (60.3 mm x 1.6 m) Strut Support	4-1/2" OD x 63" (114.3 mm OD x 1.6 m) Antenna Pipe	TF-M4S2-14
	8' x 2-3/8" OD (2.4 m x 60.3 mm OD)			TFL-M2S2-8
	14' x 2-3/8" OD (4.3 m x 60.3 mm OD)			TFL-M2S2-14
	20' x 2-3/8" OD (6.1 m x 60.3 mm OD)			TFL-M2S2-20
	8' x 3-1/2" OD (2.4 m x 88.9 mm OD)			TFL-M3S2-8
	14' x 3-1/2" OD (4.3 m x 88.9 mm OD)			TFL-M3S2-14
	20' x 3-1/2" OD (6.1 m x 88.9 mm OD)			TFL-M3S2-20
8' x 4-1/2" OD (2.4 m x 114.3 mm OD)	TFL-M4S2-8			
14' x 4-1/2" OD (4.3 m x 114.3 mm OD)	TFL-M4S2-14			



TF-ML45 Series



TF-ML35 Series

Tower Face Mounts With Dual Face Supports & 14" Standoff

Mounting	Face Support Dimensions	Standoff	Pipe Included	CommScope Material ID
For Round or 60° Angle Legs up to 8" (203.2 mm) or 90° Angle Legs up to 6" (152.4 mm)	8' x 2-3/8" OD (2.4 m x 60.3 mm OD)	14" (355.6 mm) Stand-off	4-1/2" OD x 63" (114.3 mm OD x 1.6 m) Antenna Pipe	TF-ML2-8
	14' x 2-3/8" OD (4.3 m x 60.3 mm OD)			TF-ML2-14
	20' x 2-3/8" OD (6.1 m x 60.3 mm OD)			TF-ML2-20
	8' x 3-1/2" OD (2.4 m x 88.9 mm OD)			TF-ML3-8
	14' x 3-1/2" OD (4.3 m x 88.9 mm OD)			TF-ML3-14
	20' x 3-1/2" OD (6.1 m x 88.9 mm OD)			TF-ML3-20
	8' x 4-1/2" OD (2.4 m x 114.3 mm OD)			TF-ML4-8
	14' x 4-1/2" OD (4.3 m x 114.3 mm OD)			TF-ML4-14
For Round or 60° Angle Legs up to 16" (406.4 mm) or 90° Angle Legs up to 12" (304.8 mm)	8' x 2-3/8" OD (2.4 m x 60.3 mm OD)	14" (355.6 mm) Stand-off	4-1/2" OD x 63" (114.3 mm OD x 1.6 m) Antenna Pipe	TFL-ML2-8
	14' x 2-3/8" OD (4.3 m x 60.3 mm OD)			TFL-ML2-14
	20' x 2-3/8" OD (6.1 m x 60.3 mm OD)			TFL-ML2-20
	8' x 3-1/2" OD (2.4 m x 88.9 mm OD)			TFL-ML3-8
	14' x 3-1/2" OD (4.3 m x 88.9 mm OD)			TFL-ML3-14
	20' x 3-1/2" OD (6.1 m x 88.9 mm OD)			TFL-ML3-20
	8' x 4-1/2" OD (2.4 m x 114.3 mm OD)			TFL-ML4-8
	14' x 4-1/2" OD (4.3 m x 114.3 mm OD)			TFL-ML4-14

Tower Face Mounts With Dual Face Supports , 14" Standoff, & Single Strut Support

Mounting	Face Support Dimensions	Strut Support Included	Standoff	Pipe Included	CommScope Material ID
For Round or 60° Angle Legs up to 8" (203.2 mm) or 90° Angle Legs up to 6" (152.4 mm)	8' x 2-3/8" OD (2.4 m x 60.3 mm OD)	One 2-3/8" x 63" (60.3 mm x 1.6 m) Strut Support	14" (355.6 mm) Stand-off	4-1/2" OD x 63" (114.3 mm OD x 1.6 m) Antenna Pipe	TF-ML2S-8
	14' x 2-3/8" OD (4.3 m x 60.3 mm OD)				TF-ML2S-14
	20' x 2-3/8" OD (6.1 m x 60.3 mm OD)				TF-ML2S-20
	8' x 3-1/2" OD (2.4 m x 88.9 mm OD)				TF-ML3S-8
	14' x 3-1/2" OD (4.3 m x 88.9 mm OD)				TF-ML3S-14
	20' x 3-1/2" OD (6.1 m x 88.9 mm OD)				TF-ML3S-20
	8' x 4-1/2" OD (2.4 m x 114.3 mm OD)				TF-ML4S-8
	14' x 4-1/2" OD (4.3 m x 114.3 mm OD)				TF-ML4S-14
For Round or 60° Angle Legs up to 16" (406.4 mm) or 90° Angle Legs up to 12" (304.8 mm)	8' x 2-3/8" OD (2.4 m x 60.3 mm OD)	One 2-3/8" x 63" (60.3 mm x 1.6 m) Strut Support	14" (355.6 mm) Stand-off	4-1/2" OD x 63" (114.3 mm OD x 1.6 m) Antenna Pipe	TFL-ML2S-8
	14' x 2-3/8" OD (4.3 m x 60.3 mm OD)				TFL-ML2S-14
	20' x 2-3/8" OD (6.1 m x 60.3 mm OD)				TFL-ML2S-20
	8' x 3-1/2" OD (2.4 m x 88.9 mm OD)				TFL-ML3S-8
	14' x 3-1/2" OD (4.3 m x 88.9 mm OD)				TFL-ML3S-14
	20' x 3-1/2" OD (6.1 m x 88.9 mm OD)				TFL-ML3S-20
	8' x 4-1/2" OD (2.4 m x 114.3 mm OD)				TFL-ML4S-8
	14' x 4-1/2" OD (4.3 m x 114.3 mm OD)				TFL-ML4S-14

TOWER MOUNTS

Face Mounting Solutions

Tower Face Mounts With Dual Face Supports , 14" Standoff, & Dual Strut Support

Mounting	Face Support Dimensions	Strut Support Included	Standoff	Pipe Included	CommScope Material ID
For Round or 60° Angle Legs up to 8" (203.2 mm) or 90° Angle Legs up to 6" (152.4 mm)	8' x 2-3/8" OD (2.4 m x 60.3 mm OD)	Two 2-3/8" x 63" (60.3 mm x 1.6 m) Strut Supports	14" (355.6 mm) Stand-off	4-1/2" OD x 63" (114.3 mm OD x 1.6 m) Antenna Pipe	TF-ML2S2-8
	14' x 2-3/8" OD (4.3 m x 60.3 mm OD)				TF-ML2S2-14
	20' x 2-3/8" OD (6.1 m x 60.3 mm OD)				TF-ML2S2-20
	8' x 3-1/2" OD (2.4 m x 88.9 mm OD)				TF-ML3S2-8
	14' x 3-1/2" OD (4.3 m x 88.9 mm OD)				TF-ML3S2-14
	20' x 3-1/2" OD (6.1 m x 88.9 mm OD)				TF-ML3S2-20
	8' x 4-1/2" OD (2.4 m x 114.3 mm OD)				TF-ML4S2-8
For Round or 60° Angle Legs up to 16" (406.4 mm) or 90° Angle Legs up to 12" (304.8 mm)	14' x 4-1/2" OD (4.3 m x 114.3 mm OD)	Two 2-3/8" x 63" (60.3 mm x 1.6 m) Strut Supports	14" (355.6 mm) Stand-off	4-1/2" OD x 63" (114.3 mm OD x 1.6 m) Antenna Pipe	TF-ML4S2-14
	8' x 2-3/8" OD (2.4 m x 60.3 mm OD)				TFL-ML2S2-8
	14' x 2-3/8" OD (4.3 m x 60.3 mm OD)				TFL-ML2S2-14
	20' x 2-3/8" OD (6.1 m x 60.3 mm OD)				TFL-ML2S2-20
	8' x 3-1/2" OD (2.4 m x 88.9 mm OD)				TFL-ML3S2-8
	14' x 3-1/2" OD (4.3 m x 88.9 mm OD)				TFL-ML3S2-14
	20' x 3-1/2" OD (6.1 m x 88.9 mm OD)				TFL-ML3S2-20
8' x 4-1/2" OD (2.4 m x 114.3 mm OD)	TFL-ML4S2-8				
14' x 4-1/2" OD (4.3 m x 114.3 mm OD)	TFL-ML4S2-14				

Tower Face Mount Strut Support Kits

Application: Support for mounting strut of TF-M series face mount

Size: Three versions

Design: Pipe with crossover plates

Feature: Can be adjusted to mount anywhere on tower face mount

Mounts to: Tower face mount kits

Material: Hot dip galvanized steel

Includes: Plates, strut support, hardware, pipe

Order Separately: Tower face mount kit

Tower Face Mount Strut Support Kits

Mounting	Pipe Included	CommScope Material ID
2-3/8" OD x 2-3/8" OD (60.3 mm x 60.3 mm)	One 2-3/8" x 63" (60.3 mm x 1.6 m) Pipe	TF-MSS-2
For Round or 60° Angle Legs up to 16" (406.4 mm) or 90° Angle Legs up to 12" (304.8 mm)		TF-MSS-3
Microwave Dish Strut Vertical Support Bracket		TF-MSS-4

Tower Face Mount Stand-off Bracket

Application: Support for standing microwave antenna off of TF-M series face mount

Size: 4-1/2" (114.3 mm) OD

Design: 4-1/2" (114.3 mm) OD pipe mount stand-off

Feature: 14" (355.6 mm) stand-off

Mounts to: Tower face mount kits

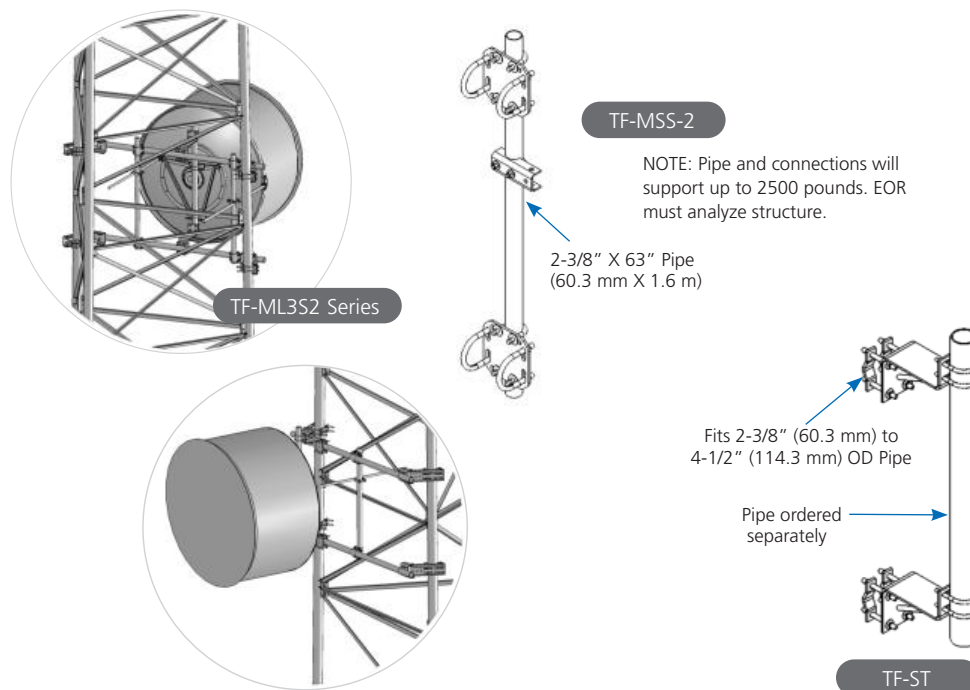
Material: Hot dip galvanized steel

Includes: Stand-off, attachment hardware

Order Separately: Tower face mount kit

Tower Face Mount Stand-off Bracket

Mounting	Stand-off	CommScope Material ID
2-3/8" (60.3 mm) to 4-1/2" (114.3 mm) OD Pipe	14" (355.6 mm) Stand-off	TF-ST

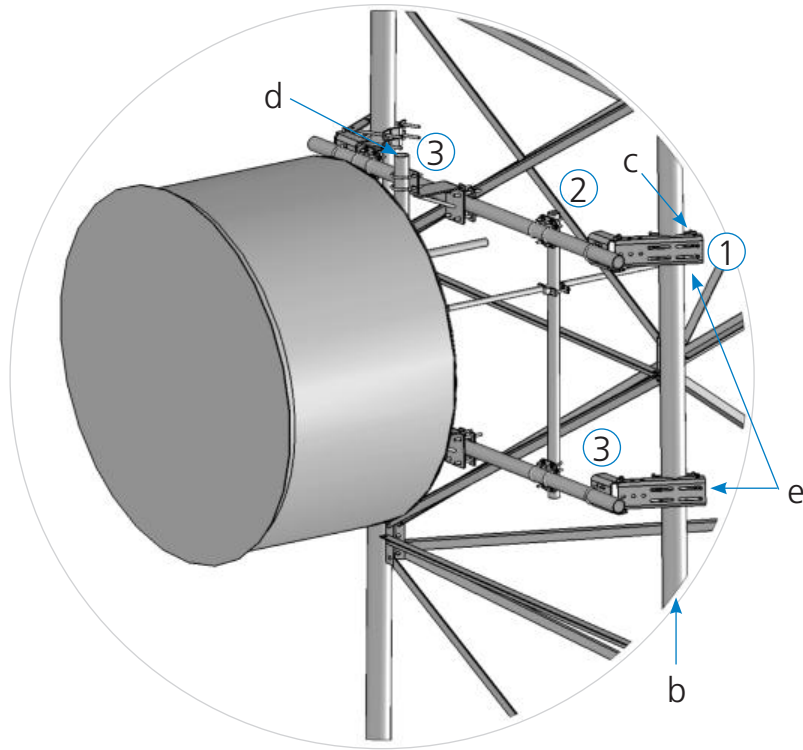




Pipes

Description	Pipe OD	Pipe Length	Material Thickness	CommScope Material ID
Galvanized Pipe Grade A500C - 46 KSI	2-3/8"	24"	.120"	MT-648
		36"	.120"	MT-649
		48"	.120"	MT-650
		63"	.120"	MT-650-63
		96"	.154"	MT651096154
		96"	.218"	MT651096218
		126"	.154"	MT651126154
		126"	.218"	MT651126218
		150"	.154"	MT651150154
		150"	.218"	MT651150218
	174"	.218"	MT651174218	
	2-7/8"	48"	.203"	MT-546-48
		84"	.120"	MT546084120
		84"	.203"	MT54684
		96"	.120"	MT54696120
		96"	.203"	MT54696
		96"	.276"	MT546096276
		126"	.120"	MT546126120
		126"	.203"	MT-546-126
		126"	.276"	MT546126276
		150"	.120"	MT546150120
		150"	.203"	MT-546-150
		150"	.276"	MT546150276
	3-1/2"	72"	.165"	MT54772
		84"	.165"	MT54784
		96"	.165"	MT54796
		126"	.165"	MT-547-126
		150"	.165"	MT21601
		160"	.165"	MF130165
		174"	.165"	MT-547-174
	4-1/2"	48"	.188"	MT-653
		63"	.237"	MT-653-63
		96"	.188"	MT-654-96
		126"	.188"	MT-539
		150"	.188"	MT-654-150
		174"	.237"	MTC987205

NOTE: The length of pipe must be considered for the type of dish used and the loads from the dish and or the strut/stiff arm attached.



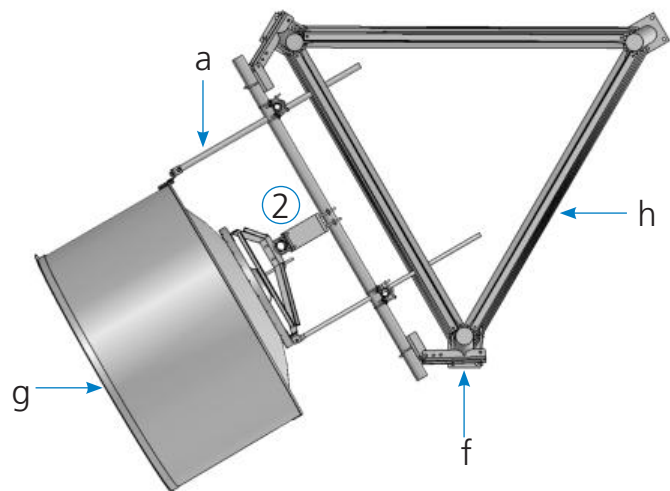
- a. Strut returns back to tower at recommended angle
- b. Tapered leg
- c. Channel supports adjust for inclination of tower leg taper
- d. True vertical antenna support
- e. Dual face support allows four point connection to structure

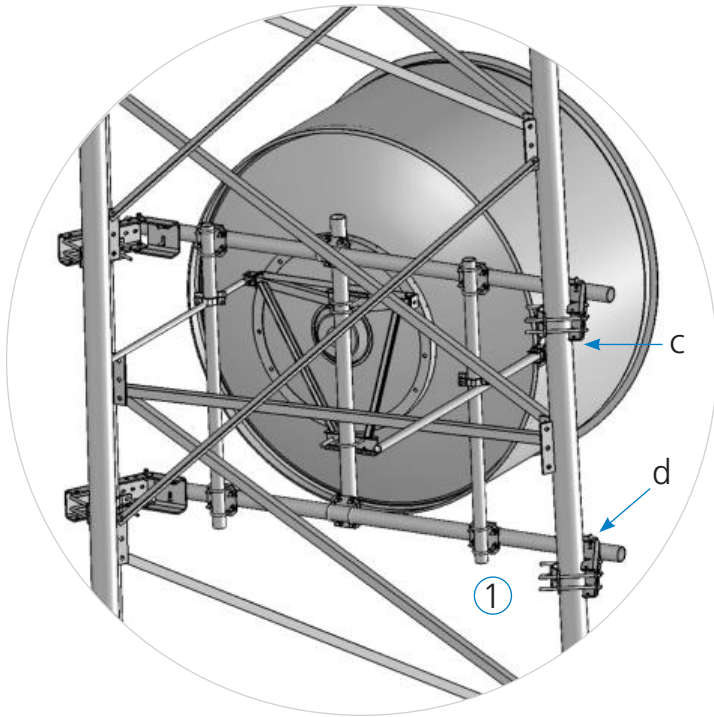
Note: Optional TF-ST allows greater work space and elliptical path

Key	Part Number	Description	Page #
1	TF-M3-14	Tower Face Mount With 14' (4.2 m) Face Pipes 3-1/2" OD (88.9 mm)	13
2	TF-ST	Tower Face Mount Stand-off Bracket	17
3	TF-MSS-3	Tower Face Mount Strut Support Kit 2-3/8" OD x 3-1/2" OD (60.3 mm x 88.9 mm)	17

* Shown with CommScope antennas and supports

- f. 6" (152.4 mm) 60° Angle tower leg
- g. 8' (2.4 m) HSX8 series antenna and supports
- h. 10' (3.0 m) Tower face



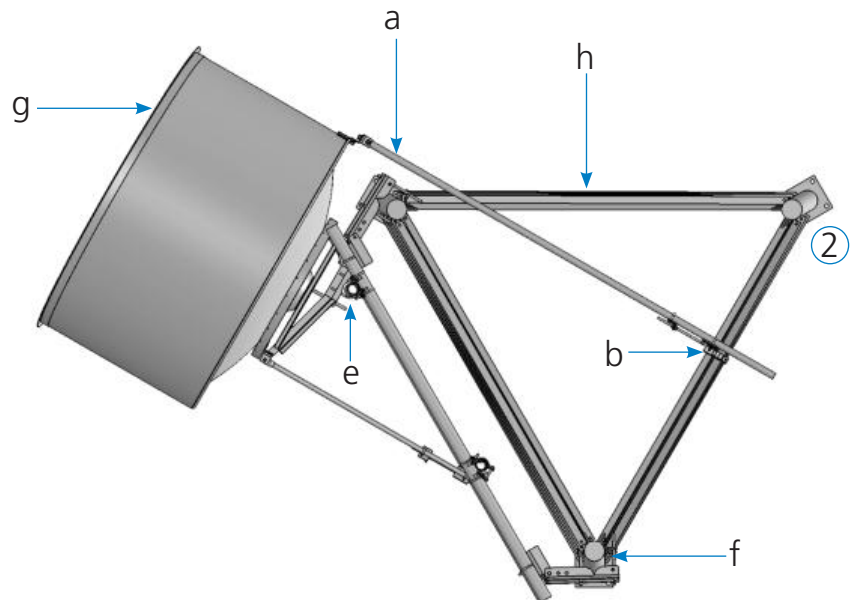


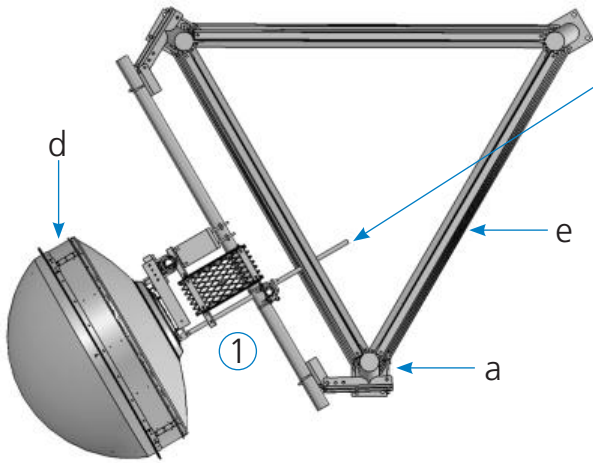
- a. Strut returns back to tower at recommended angle
- b. Optional strut attachment back to tower leg at recommended angle
- c. Strut attachment allows for vertical adjustment
- d. Universal saddle mounts up to up to 16" (406.4 mm) OD straight or tapered legs
- e. Mount can be positioned along horizontal support for azimuth adjustment

Key	Part Number	Description	Page #
1	TFL-M3S2-14	Tower Face Mount Kit With 14' (4.2 m) Face Pipes 3-1/2" OD (88.9 mm) Kit Includes Two TF-MSS-3's	15
2	MD-CS-B	Microwave Dish Strut Support Bracket	10

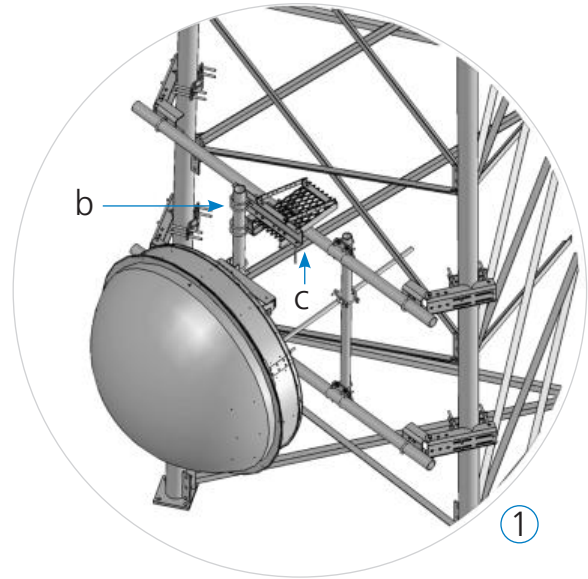
* Shown with CommScope antennas and supports

- f. 10" (254 mm) 60° Angle tapered tower leg
- g. 10' (3 m) HP10 series antenna and supports
- h. 12' (3.6 m) Tower face





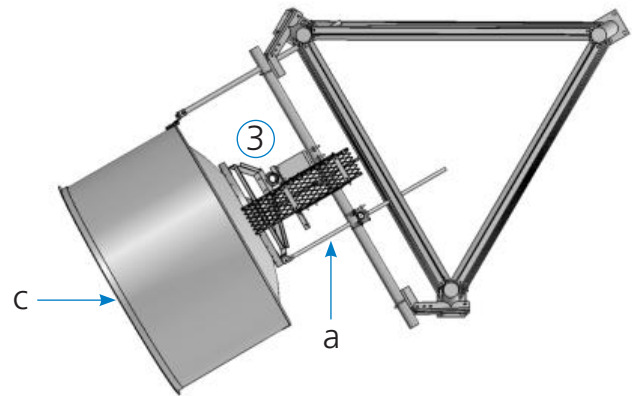
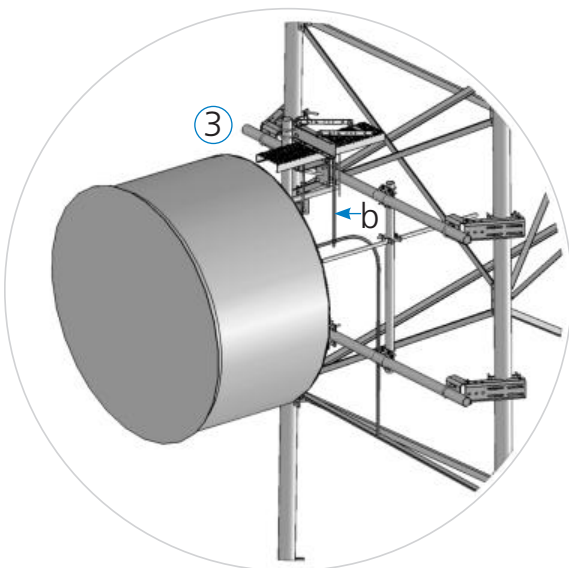
NOTE: A good practice, after the path is set, is to cut the excess strut/stiff arm 12" past the mount point, to prevent falling ice from hitting the strut and affecting the path. Treat cut edge per ASTM A123.



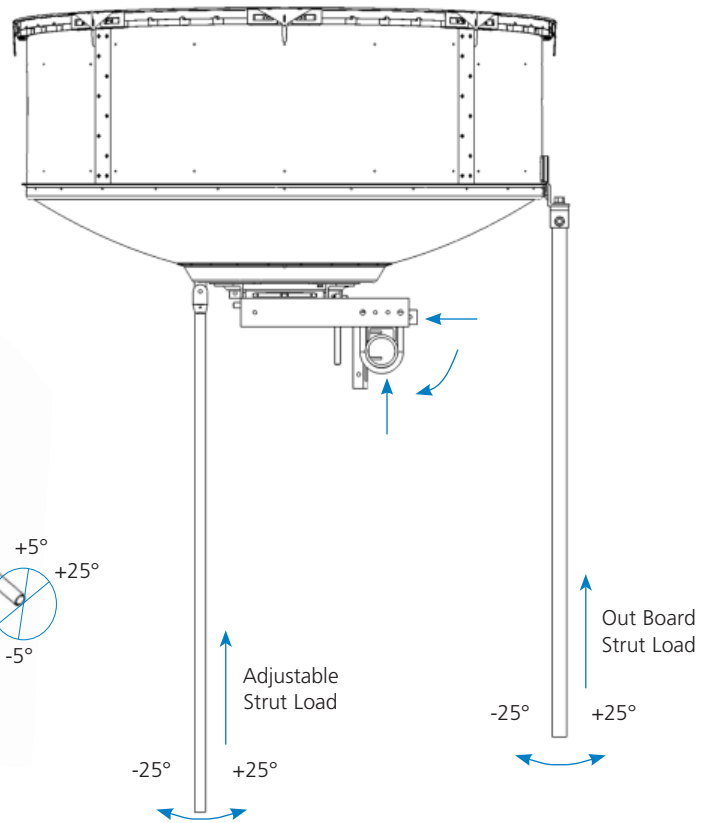
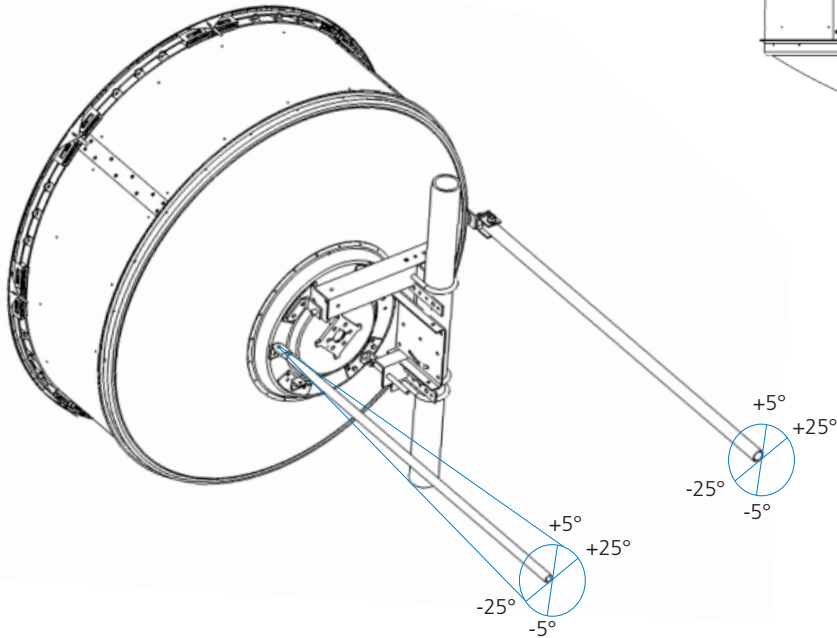
- a. 6" (152.4 mm) 60° Tapered tower leg
- b. Mounts to existing 4-1/2" OD (114.3 mm) vertical pipe mount
- c. Offers multiple attachment points on grating
- d. 3' (1.0 m) Dish
- e. 6' (1.8 m) Tower face

Key	Part Number	Description	Page #
1	MD-IS2	Microwave Dish Cable Ice Shield	23, 45
2	TF-M2S-8	Tower Face Mount Kit With 8' (2.4 m) Face Pipes 2-3/8" OD (60.3 mm) Kit Includes One TF-MSS-2	15
3	MD-IS4	Microwave Dish Cable Ice Shield	23, 45

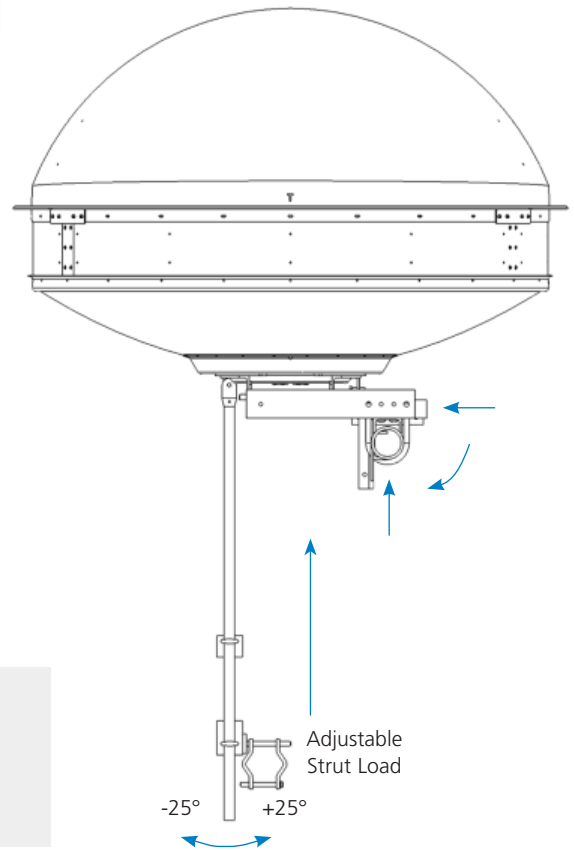
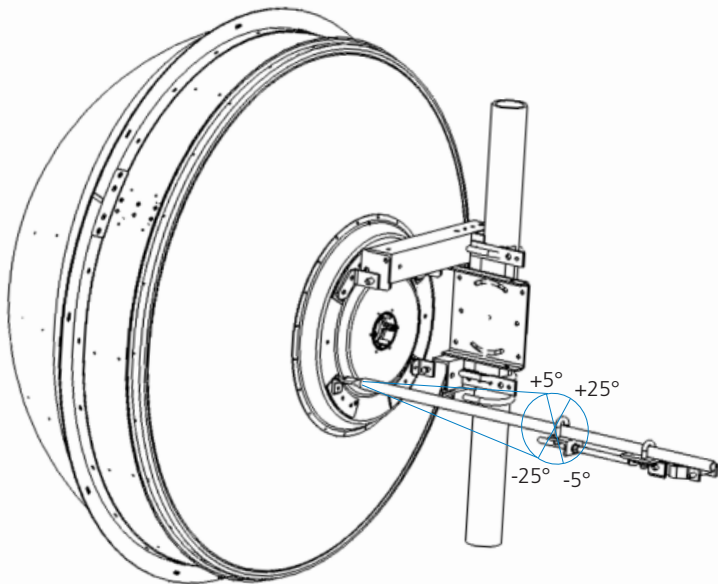
* Shown with CommScope antennas and supports



- a. Grating can be mounted at any azimuth to protect and follow elliptical waveguide
- b. Threaded support rod for elliptical waveguide
- c. 10' (3.0 m) HP series dish
- d. 6" (152.4 mm) 60° Tapered tower leg



Typical Strut Positions



A 4' dish strut/stiff arm can see in survival winds up to 600 lbs. of load, and in working load wind conditions the mount cannot flex or deflect more than 0.1". A six foot dish strut/stiff arm can see in survival winds up to 1400 lbs of load, and in working load wind conditions the mount cannot flex or deflect more than 0.1". In addition this arm must have a horizontal angle of less than 25° and less than 5° in the vertical direction."

TOWER MOUNTS

Waveguide Protection Solutions

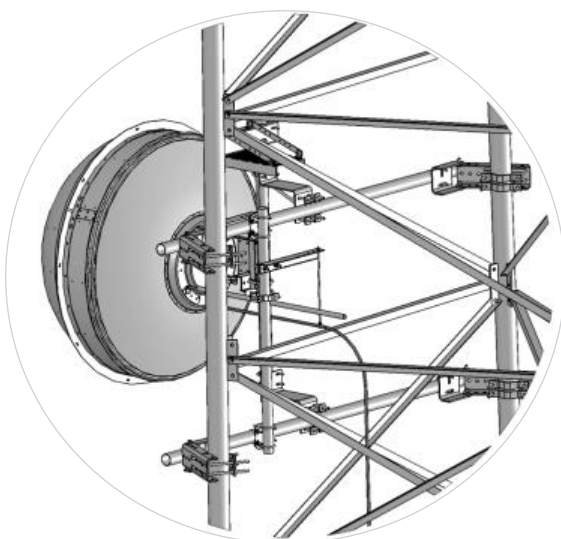
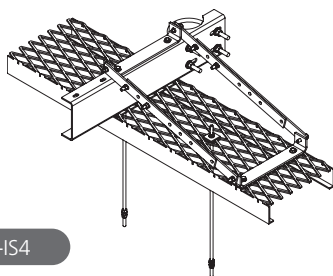
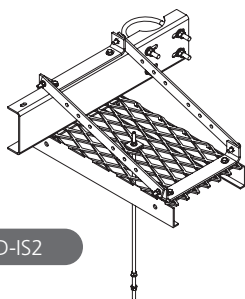
Microwave Dish Waveguide Shields

Application:	Waveguide protection for behind microwave antenna
Size:	Three versions (see table)
Design:	Support and protection for waveguide
Feature:	Protects waveguide from falling debris
Mounts to:	4-1/2" (114.3 mm) OD pipe
Material:	Hot dip galvanized steel
Includes:	Ice shield and all attachment hardware
Order Separately:	Pipe mount

Microwave Dish Waveguide Shields

Description	CommScope Material ID
12" x 24" (304.8 mm x 610 mm) Shield	MD-IS2
12" x 48" (304.8 mm x 1.2 m) Shield	MD-IS4
24" (610 mm) Angle	MD-WS

Waveguide shields are recommended to keep ice and other falling debris from damaging critical components behind the MW antenna.



NOTE: It is recommended that the EW line is supported every three feet in the horizontal and within 12" of the connector so there is no stress on the feed horn.



MONOPOLE MOUNTS

- Low-Profile Chain Mounts
- Light Duty Chain Mounts
- Heavy Duty Chain Mounts
- Microwave Components

MONOPOLE MOUNTS

Low-profile Chain Mounts

Low-profile Chain Mounts

Application:	Chain mount solution for mounting antennas or monopoles
Size:	2-3/8" (60.3 mm) OD pipe mounts
Design:	Single antenna chain mounts
Feature:	Universal, low-profile mount
Mounts to:	8" to 60" (203.2 mm to 1524 mm) OD
Material:	Hot dip galvanized steel
Includes:	See description

Low-profile Chain Mounts

Mounting	Chain	Pipes Included	Stand-off	CommScope Material ID	
8" to 30" (203.2 mm to 711.2 mm) OD 25" to 94.2" (635 mm to 2393 mm) Circumference	8' (2.4 m) Chain	None	N/A	CM-30S-B	
		2-3/8" OD x 72" (60.3 mm OD x 1.8 m)		CM-30S-72	
		2-3/8" OD x 96" (60.3 mm OD x 2.4 m)		CM-30S-96	
		None	14" (355.6 mm)	None	CML-30S-B
				2-3/8" OD x 72" (60.3 mm OD x 1.8 m)	CML-30S-72
				2-3/8" OD x 96" (60.3 mm OD x 2.4 m)	CML-30S-96
8" to 60" (203.2 mm to 1524 mm) OD 25" to 188" (635 mm to 4785 mm) Circumference	16' (4.9 m) Chain	None	N/A	CM-60S-B	
		2-3/8" OD x 72" (60.3 mm OD x 1.8 m)		CM-60S-72	
		2-3/8" OD x 96" (60.3 mm OD x 2.4 m)		CM-60S-96	
		None	14" (355.6 mm)	None	CML-60S-B
				2-3/8" OD x 72" (60.3 mm OD x 1.8 m)	CML-60S-72
				2-3/8" OD x 96" (60.3 mm OD x 2.4 m)	CML-60S-96

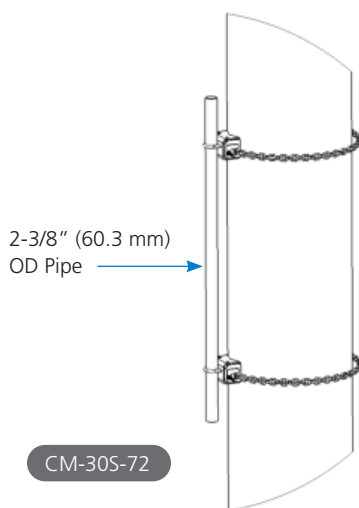
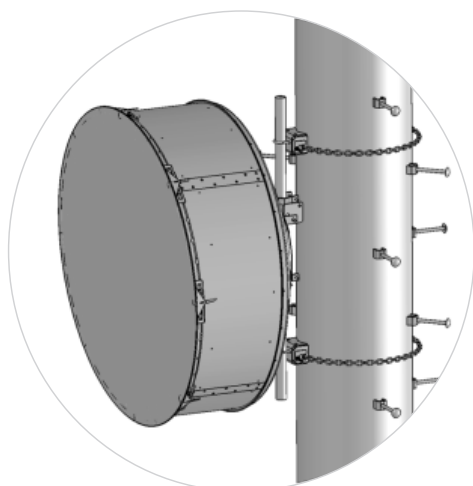
Man Rating: 250 lb vertical man load at 15 mph (BWS)

Wind Rating*: 120 mph (BWS) 1/2" radial ice at 100' AGL per latest revision of ANSI/TIA/EIA-222

* Typical installation of one 3' (1.0 m) microwave antenna per sector

NOTE 1: Low Profile Chain Mounts can be used with microwave antennas 3' and smaller.

NOTE 2: To avoid future maintenance issues, excess chain should be removed after final installation.



NOTE: Monopoles can sway due to wind loading. The amount of sway is dependent on the monopole design, antennas, and the wind speed. A typical 100 ft. monopole can sway 2-4 ft. during 90 mph wind conditions.

MONOPOLE MOUNTS

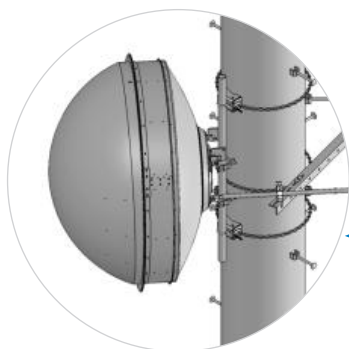
Light Duty Chain Mounts

Light Duty Chain Mounts

Application:	Chain mount solution for mounting antennas on monopoles
Size:	4-1/2" (114.3 mm) OD pipe mounts
Design:	Single antenna mount
Feature:	Single chain support
Mounts to:	8" to 60" (203.2 mm to 1.5 m) OD
Material:	Hot dip galvanized steel
Includes:	Pipe mounts and chains
Order Separately:	Strut/stiff arm and pipe mounts as needed

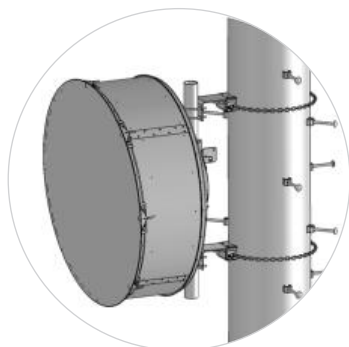
Light Duty Chain Mounts

Mounting	Chain	Pipes Included	Stand-off	CommScope Material ID
8" to 30" (203.2 mm to 711.2 mm) OD 25" to 94.2" (635 mm to 2393 mm) Circumference	8' (2.4 m) Chain	None	N/A	CM-L30-B
		4-1/2" OD x 63" (114.3 mm OD x 1.6 m) 90.64 (41.1) Pipe Mount		CM-L30-63
		None	14" (355.6 mm)	CML-L30-B
		4-1/2" OD x 63" (114.3 mm OD x 1.6 m) 90.64 (41.1) Pipe Mount		CML-L30-63
8" to 60" (203.2 mm to 1524 mm) OD 25" to 188" (635 mm to 4785 mm) Circumference	16' (4.9 m) Chain	None	N/A	CM-L60-B
		4-1/2" OD x 63" (114.3 mm OD x 1.6 m) 90.64 (41.1) Pipe Mount		CM-L60-63
		None	14" (355.6 mm)	CML-L60-B
		4-1/2" OD x 63" (114.3 mm OD x 1.6 m) 90.64 (41.1) Pipe Mount		CML-L60-63

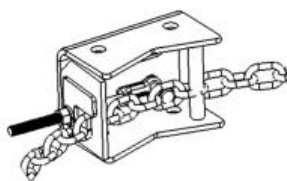


CM-L30-63 with CM-SL30

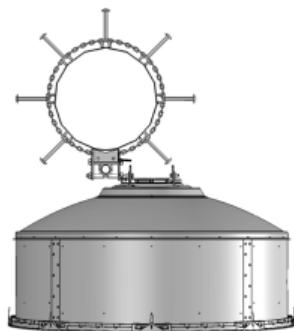
NOTE: Shown with 3' (1.0 m) microwave antenna



CML-L30-63



NOTE: Antenna should mount with load plane of dish as shown below



4-1/2" (114.3 mm) OD Pipe



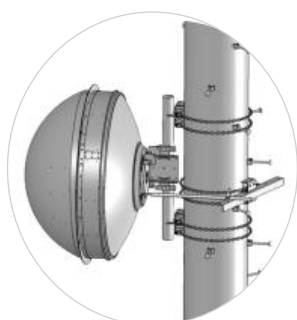
CM-L30-63

MONOPOLE MOUNTS

Heavy Duty Chain Mounts

Heavy Duty Chain Mounts

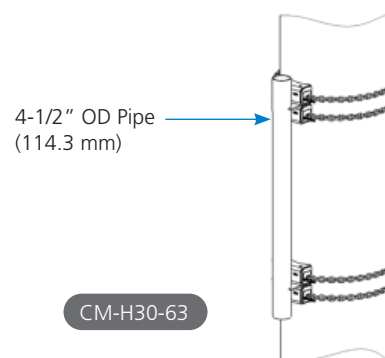
Application:	Chain mount solution for mounting antennas on monopoles
Size:	4-1/2" (114.3 mm) OD pipe mounts
Design:	Single antenna mount
Feature:	Double chain support
Mounts to:	8" to 60" (203.2 mm to 1.5 m) OD
Material:	Hot dip galvanized steel
Includes:	Pipe mounts and chains
Order Separately:	Strut/stiff arm and pipe mounts as needed



NOTE: Use Heavy Duty Chain Mounts for 3' (1 m) and larger microwave antennas

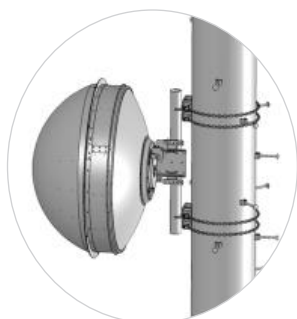
Heavy Duty Chain Mounts

Mounting	Chain	Pipes Included	CommScope Material ID
8" to 30" (203.2 mm to 711.2 mm) OD 25" to 94.2" (635 mm to 2393 mm) Circumference	8' (2.4 m) Chain	None	CM-H30-B
		4-1/2" OD x 63" (114.3 mm OD x 1.6 m) 90.64 (41.1) Pipe Mount	CM-H30-63
8" to 60" (203.2 mm to 1524 mm) OD 25" to 188" (635 mm to 4785 mm) Circumference	16' (4.9 m) Chain	None	CM-H60-B
		4-1/2" OD x 63" (114.3 mm OD x 1.6 m) 90.64 (41.1) Pipe Mount	CM-H60-63



Monopole Strut/Stiff Arm Mounts

Application:	Chainmount solution for attaching struts on monopoles
Size:	48" (1.2 m) arm
Design:	Chain mounted support arm
Feature:	Adapts strut/stiff arm to monopole
Mounts to:	8" to 60" (203.2 mm to 1.5 m) OD
Material:	Hot dip galvanized steel
Includes:	Arm and chains
Order Separately:	Antenna chain mount and strut/stiff arm

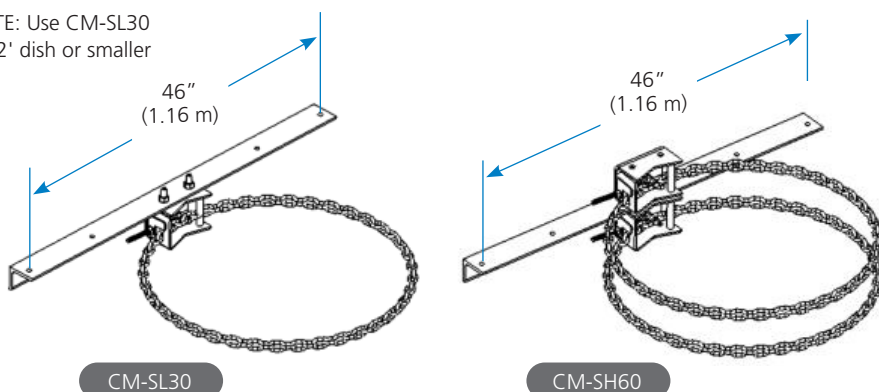


NOTE: Supports up to 1,000 lbs. load at end, or 2,000 lbs. 10" from end

Monopole Stiff Arm/Strut Mounts

Mounting	Chain	CommScope Material ID
8" to 30" (203.2 mm to 711.2 mm) OD 25" to 94.2" (635 mm to 2393 mm) Circumference	Light Duty - Single 8' (2.4 m) Chain	CM-SL30
	Heavy Duty - Double 8' (2.4 m) Chain	CM-SH30
8" to 60" (203.2 mm to 1524 mm) OD 25" to 188" (635 mm to 4785 mm) Circumference	Light Duty - Single 16' (4.9 m) Chain	CM-SL60
	Heavy Duty - Double 16' (4.9 m) Chain	CM-SH60

NOTE: Use CM-SL30 for 2' dish or smaller



Low-profile Adjustable Co-location Kit

Application: Co-location kit for monopoles

Size: 57" (1.4 m) face with 48" (1.2 m) separation

Design: Universal double antenna mount

Feature: Down tilt capabilities

Mounts to: 12" to 50" (304.8 mm to 1.27 m) OD monopoles

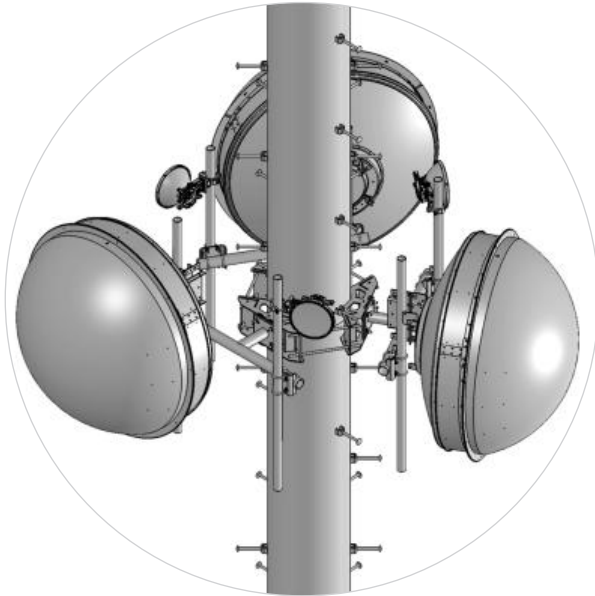
Material: Hot dip galvanized steel

Includes: Mount, weldment, hardware

Order Separately: Available with or without pipe

Low-profile Adjustable Co-Location Kit

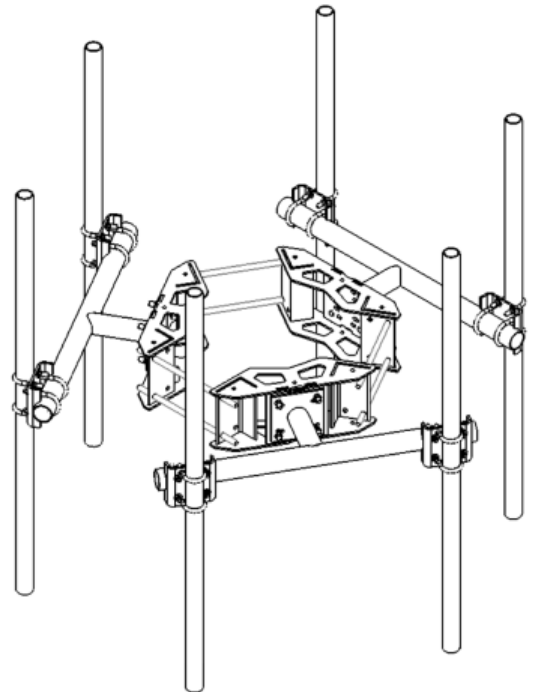
Mounting	Pipe Mount Size	Pipes Included	CommScope Material ID
12" to 50" (304.8 mm to 1.27 m) OD Monopole	2-3/8" OD	None	MC-DPM2M-6-B
		(6) 2-3/8" OD x 72" (60.3 mm OD x 1.8 m)	MC-DPM2M-6-72
		(6) 2-3/8" OD x 96" (60.3 mm OD x 2.4 m)	MC-DPM2M-6-96
		(6) 2-3/8" OD x 126" (60.3 mm OD x 3.2 m)	MC-DPM2M-6-126
	2-7/8" OD	None	MC-DPM3M-6-B
		(6) 2-7/8" OD x 72" (73 mm OD x 1.8 m)	MC-DPM3M-6-72
		(6) 2-7/8" OD x 96" (73 mm OD x 2.4 m)	MC-DPM3M-6-96
		(6) 2-7/8" OD x 126" (73 mm OD x 3.2 m)	MC-DPM3M-6-126
	3-1/2" OD	None	MC-DPM35M-6-B
		(6) 3-1/2" OD x 72" (88.9 mm OD x 1.8 m)	MC-DPM35M-6-72
		(6) 3-1/2" OD x 96" (88.9 mm OD x 2.4 m)	MC-DPM35M-6-96
		(6) 3-1/2" OD x 126" (88.9 mm OD x 3.2 m)	MC-DPM35M-6-126

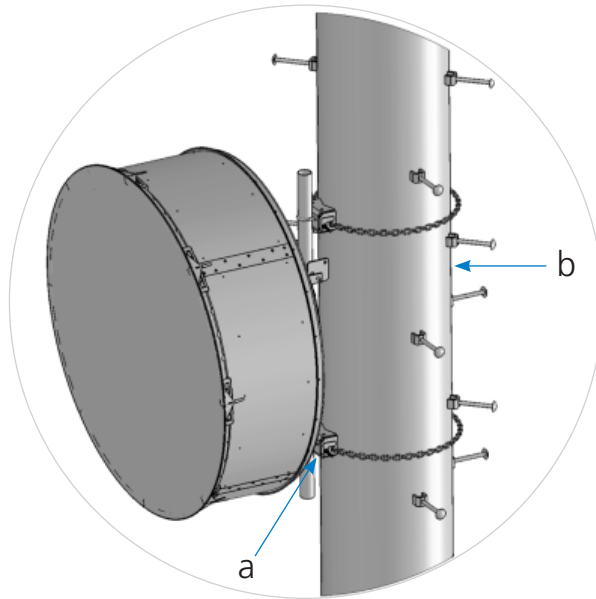


NOTE: Shown with 3' (1 m) microwave antenna

Man Rating: 250 lb vertical man load at 15 mph (BWS)

Wind Rating*: 120 mph (BWS) per latest revision of ANSI/TIA/EIA-222 140 mph 3-second gust, Exposure "D" per FBC, at 150' AGL

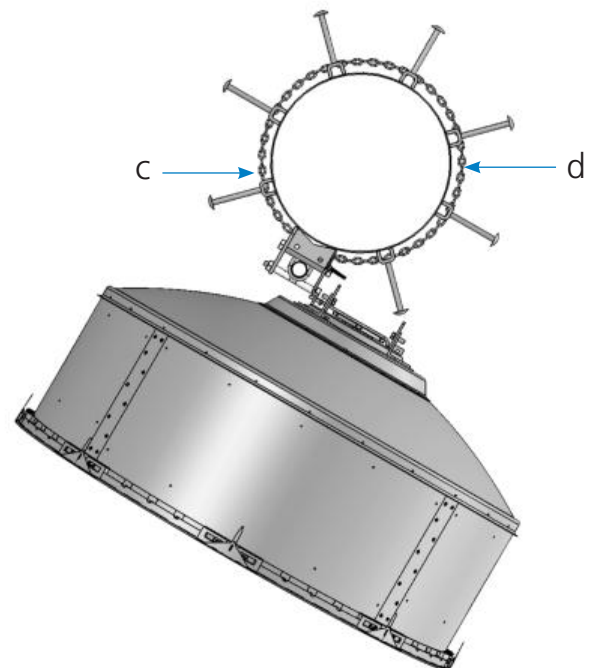




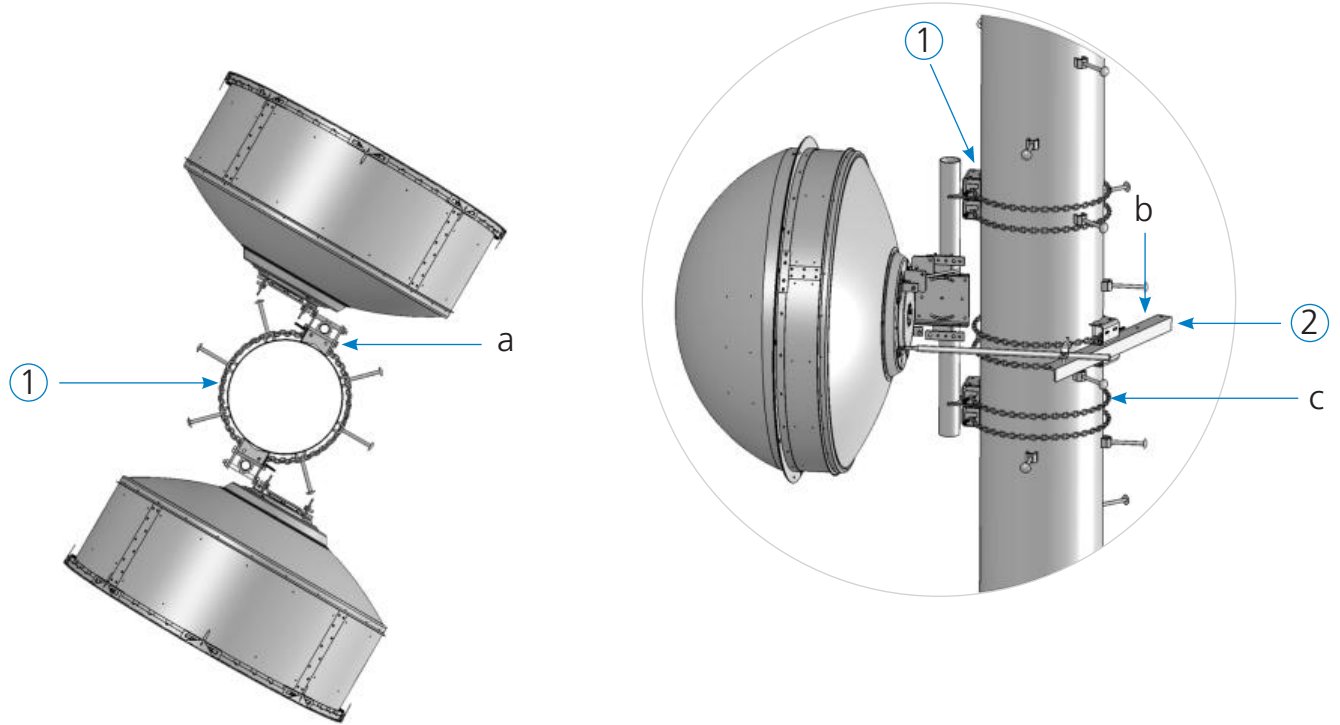
Key	Part Number	Description	Page #
1	CM-30S-72	Low-profile Single Chain Mount Kit	25

* Shown with CommScope Antennas

- a. Single point locking adjustment
- b. Mounts to both round and polygon poles
- c. Chain support offers 360° of azimuth adjustability
- d. Low-profile clearance allows for unobstructed climbing



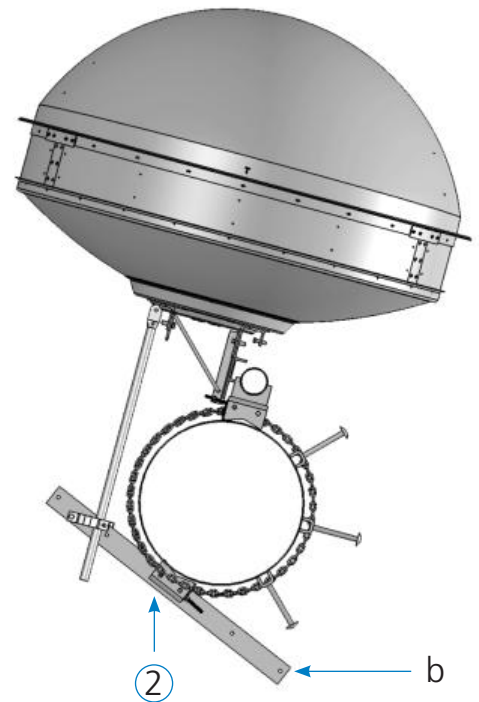
NOTE: It is recommended that the EW line is supported every three feet in the horizontal and within 12" of the connector so there is no stress on the feed horn.



Key	Part Number	Description	Page #
1	CM-H30-63	Heavy Duty Chain Mount Kit	27
2	CM-SH30	Monopole Strut/Stiff Arm Mount Kit	27

* Shown with CommScope Antennas

- a. Sliding brackets allow for double supports at desired azimuth
- b. Strut/stiff arm mount provides strut support at recommended angle
- c. Dual chain supports for larger antenna





ROOF-TOP MOUNTS

- Roof Frames
- Mounting Components
- Customs

ROOF-TOP MOUNTS

Roof Frames

Universal Tripod Mounts

Application:	Roof-top mounting for one antenna
Size:	2-7/8" (73 mm), 3-1/2" (88.9 mm), or 4-1/2" (114.3 mm) OD
Design:	Heavy duty tripod mount
Feature:	Interchangeable base unit
Material:	Hot dip galvanized steel
Includes:	Mount, with or without pipe
Order Separately:	Roof sled and pipe



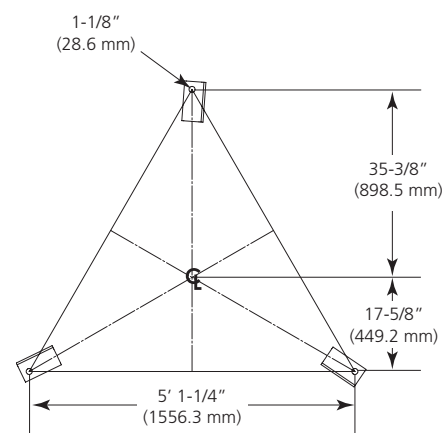
TP-G300-96

Universal Tripod Mounts

Description	CommScope Material ID	
2-7/8" or 3-1/2" OD (73 mm or 88.9 mm OD)	Base Only for 2-7/8" or 3-1/2" OD (73 mm or 88.9 mm OD), Pipe Ordered Separately	TP-G300-B
	2-7/8" OD x 96" (73 mm OD x 2.4 m)	TP-G300-96
	2-7/8" OD x 126" (73 mm OD x 3.2 m)	TP-G300-126
	3-1/2" OD x 96" (88.9 mm OD x 2.4 m)	TP-G312-96
4-1/2" OD (114.3 mm OD)	3-1/2" OD x 126" (88.9 mm OD x 3.2 m)	TP-G312-126
	Base Only for 4-1/2" OD (114.3 mm OD), Pipe Ordered Separately	TP-G412-B
	4-1/2" OD x 96" (114.3 mm OD x 2.4 m)	TP-G412-96
	4-1/2" OD x 126" (114.3 mm OD x 3.2 m)	TP-G412-126
4-1/2" OD x 150" (114.3 mm OD x 3.8 m)	TP-G412-150	

Wind Rating*: 85 mph (BWS) per latest revision of ANSI/TIA/EIA-222
Exposure "C" per UBC, at 100' AGL

*Typical installation of one 6' standard microwave antenna using 4-1/2" pipe mast. See Engineering Data Table for ballast



Non-penetrating Roof Ballast Sled for Tripods

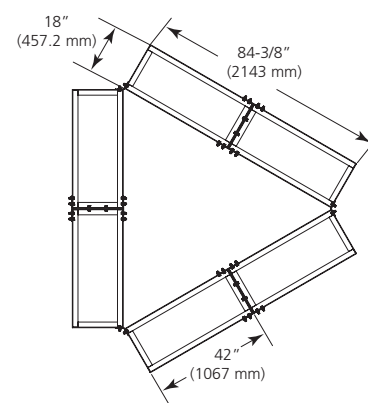
Application:	Non-penetrating solution for TP-G series mounts
Size:	87" (2.2 m) faces
Design:	Converts tripods to anon-penetrating
Feature:	Three ballast trays
Material:	Hot dip galvanized steel
Includes:	Sled only
Order Separately:	Tripod and rubber mats

Non-penetrating Roof Ballast Sled for Tripods

Description	CommScope Material ID
Non-penetrating Roof Sled, Tripod Mount Ordered Separately	MT-416
Rubber Mat, 1/2" x 18" x 48" (13 mm x 457 mm x 1219 mm), Six Mats Required for Ballast Tray	MT-F1637

NOTE: Ballast to be calculated by competent person

TP-G412-72 with MT-416



ROOF-TOP MOUNTS

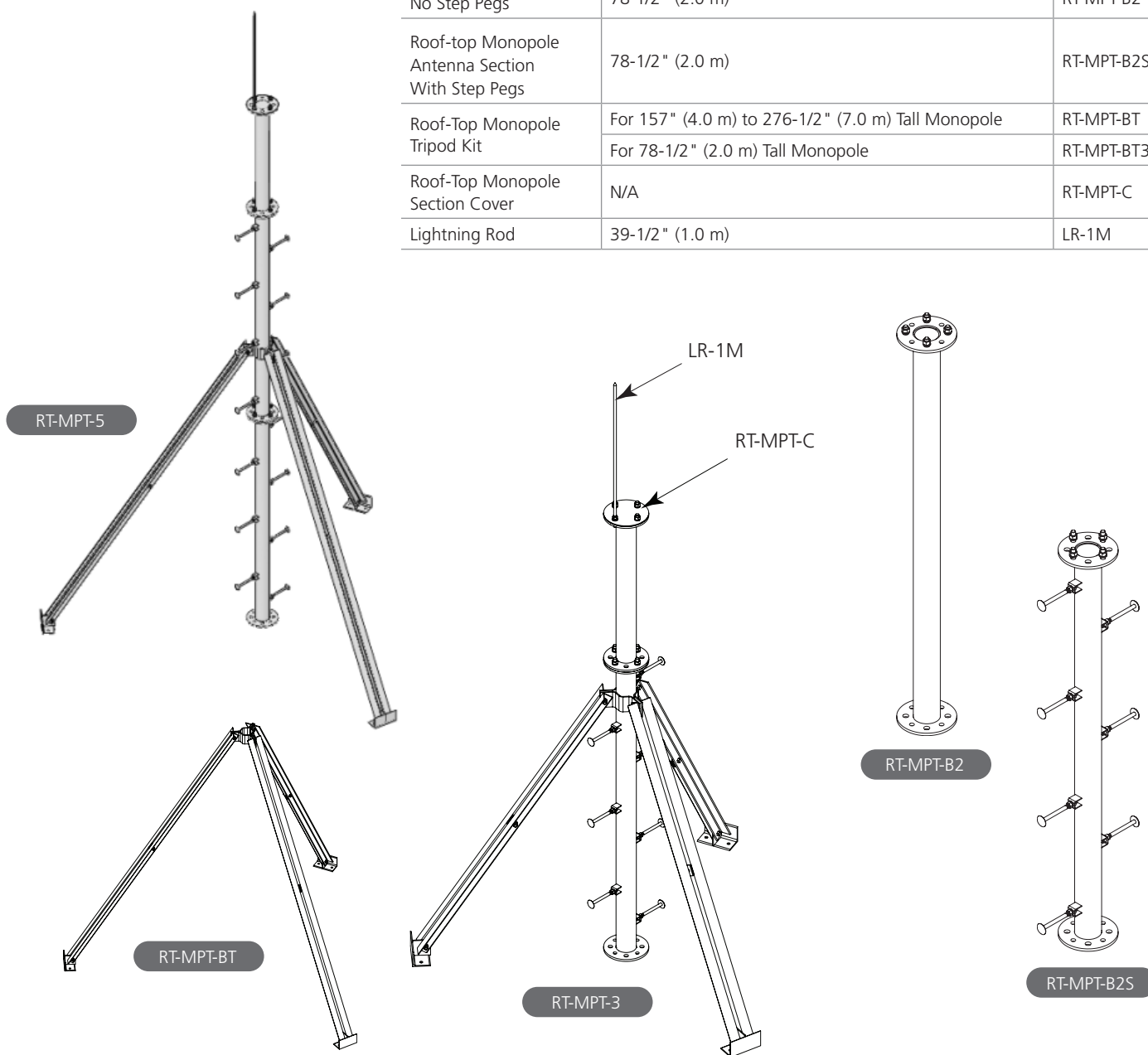
Roof Frames

Roof-top Monopole Tripods

Application:	Single antenna mount for roof-tops
Design:	Spliced center pole with angle kicker legs
Feature:	Splice vertical post
Mounts to:	Roof-top
Material:	Hot dip galvanized steel
Includes:	Center post, kicker angles, hardware

Universal Tripod Mounts

Description	Height	CommScope Material ID
Roof-top Monopole Tripod Assembly	3 Meter (9'-9") Mast	RT-MPT-3
	4 Meter (13'-1") Mast	RT-MPT-4
	5 Meter (16'-5") Mast	RT-MPT-5
	6 Meter (19'-8") Mast	RT-MPT-6
	7 Meter (22'-11") Mast	RT-MPT-7
Roof-top Monopole Antenna Section No Step Pegs	39-1/2" (1.0 m)	RT-MPT-B1
	78-1/2" (2.0 m)	RT-MPT-B2
Roof-top Monopole Antenna Section With Step Pegs	78-1/2" (2.0 m)	RT-MPT-B2S
Roof-Top Monopole Tripod Kit	For 157" (4.0 m) to 276-1/2" (7.0 m) Tall Monopole	RT-MPT-BT
	For 78-1/2" (2.0 m) Tall Monopole	RT-MPT-BT3
Roof-Top Monopole Section Cover	N/A	RT-MPT-C
Lightning Rod	39-1/2" (1.0 m)	LR-1M



Stand-off Wall Mount

Application: 3' Stand-off for wall mounting antennas

Size: 36" (914.4 mm) stand-off

Design: Welded stand-off mount

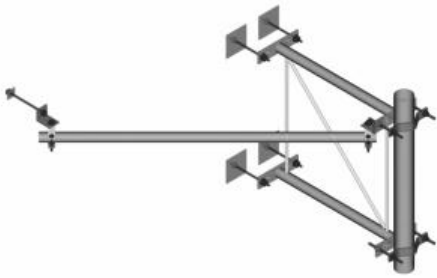
Feature: Heavy duty for microwave antennas

Mounts to: Walls

Material: Hot dip galvanized steel

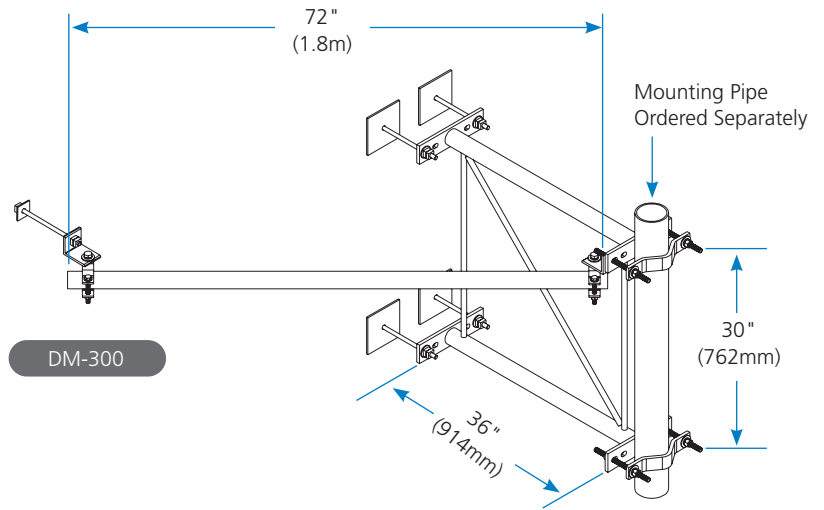
Includes: Bracket, strut/stiff-arm, and wall mount hardware

Order Separately: 3-1/2" (88.9 mm) or 4-1/2" (114.3 mm) OD pipe



Stand-off Wall Mount

Description	Pipes Included	Stand-off	Stiff Arm/Strut	CommScope Material ID
Stand-off Wall Mount for Solid & Hollow Walls	None - Pipe Ordered Separately	36" (914 mm),	72" (1.8 m) Stiff Arm	DM-300



Corner Wall Mounts

Application: Antenna mounting for corners of buildings

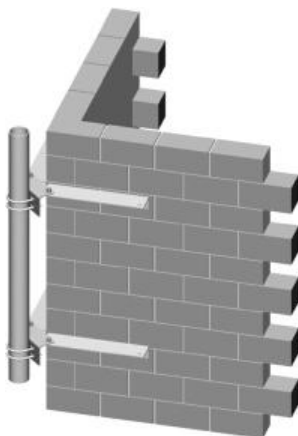
Design: V-shaped corner mount

Feature: Adjustable clamp spacing

Mounts to: Wall corners

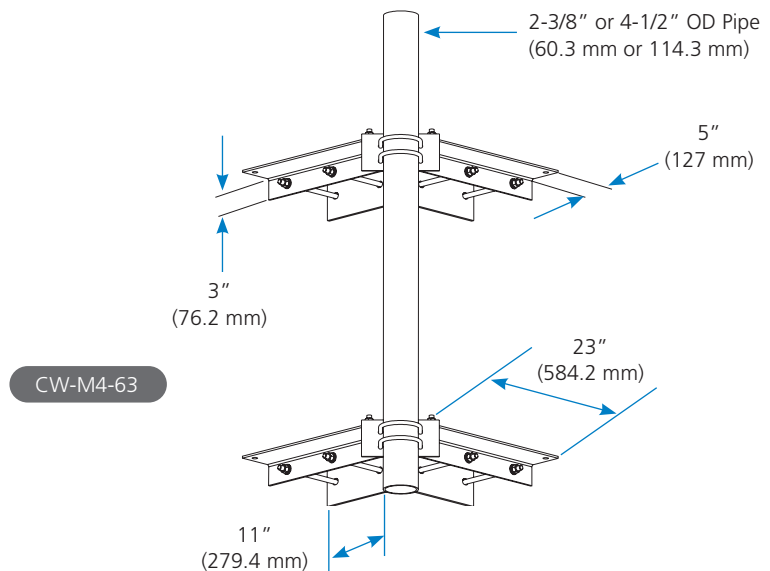
Material: Hot dip galvanized steel

Includes: Two brackets, pipe mount, and wall mount hardware



Corner Wall Mount

Description	Pipes Included	CommScope Material ID
Corner Wall Mount	2-3/8" (60.3 mm) OD x 63" (1.6 m) Pipe	CW-M2-63
	2-3/8" (60.3 mm) OD x 96" (2.4 m) Pipe	CW-M2-96
	4-1/2" (114.3 mm) OD x 63" (1.6 m) Pipe	CW-M4-63
	4-1/2" (114.3 mm) OD x 96" (2.4 m) Pipe	CW-M4-96

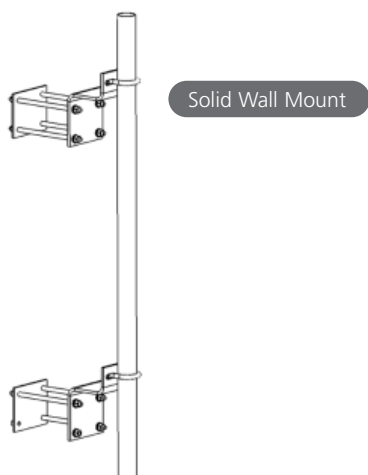


ROOF-TOP MOUNTS

Mounting Components

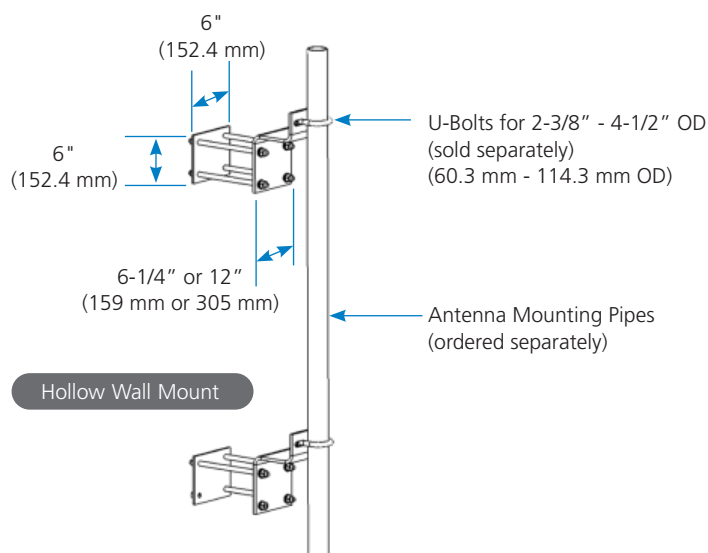
Adjustable Wall Mounts

Application:	Mounting antennas on hollow or solid walls
Size:	12" (304.8 mm) Square plate, 6-1/4" (158.75 mm) or 12" (304.8 mm) deep
Design:	Welded dual brackets
Feature:	Variable spacing flexibility
Mounts to:	Versions for hollow or solid walls
Material:	Hot dip galvanized steel
Includes:	Two wall brackets and backing plates or anchors
Order Separately:	U-bolts and 2-3/8" through 4-1/2" OD (60.3 mm through 114.3 mm) pipe



Microwave Mounting Components

Description	CommScope Material ID
Adjustable Wall Mounts, 6" (152.4 mm) Stand-off	
For Hollow Walls, Includes Backing Plates, Kit of 2	MT-221
For Solid Walls, Includes Wall Anchors, Kit of 2	MT-222
Adjustable Wall Mounts, 12" (305 mm) Stand-off	
For Hollow Walls, Includes Backing Plates, Kit of 2	MT-221L
For Solid Walls, Includes Wall Anchors, Kit of 2	MT-222L
Optional Backing Plate	
Backing Plate Kit, 12" x 12" (305 mm x 305 mm)	MT-223
Roof-top Microwave Dish Ballast Mount System	
Three 4.5" OD X 8' Supports with 3.5" OD Strut Support Member	RF-MW8-B



ROOF-TOP MOUNTS

Mounting Components

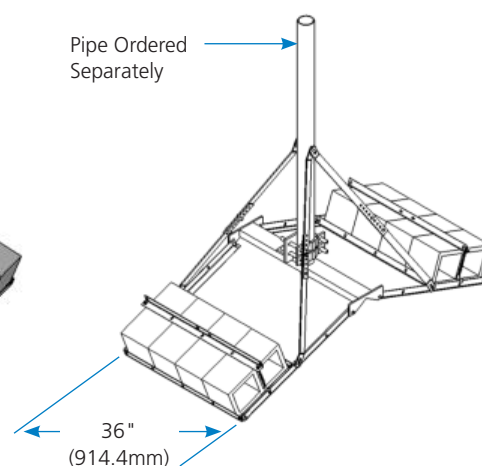


Microwave Mounting Components

Description	CommScope Material ID
Roof-top Microwave Dish Ballast Mount System	
Three 4.5" OD X 8' Supports with 3.5" OD Strut Support Member	RF-MW8-B

Non-penetrating Roof-top Peak Frames

Application:	Mounting of antennas on roof-top peaks
Size:	36" (914.4 mm) Wide ballast trays
Design:	Non-penetrating design
Feature:	Accepts 2-3/8" to 4-1/2" OD (60.3 mm to 114.3 mm) antenna mounting pipes
Mounts to:	Peaked roofs
Material:	Hot dip galvanized steel
Includes:	Ballast tray, tie down angles, mount, hardware
Order Separately:	Antenna mounting pipes



NOTE: Ballast to be calculated by competent person



Rooftop Peak Frame

Description	Pipes Included	CommScope Material ID
Rooftop Peak Frame	None - Pipe Ordered Separately	RT-PM-B



CUBE Mount

Description	Pipes Included	CommScope Material ID
Roof Top Cube Mount Base Kit	None - Pipe Ordered Separately	RT-CUBE-MBASE



WAVEGUIDE

- Coaxial Support Components
- Waveguide Bridge Kits
- Cable Ladder Kits

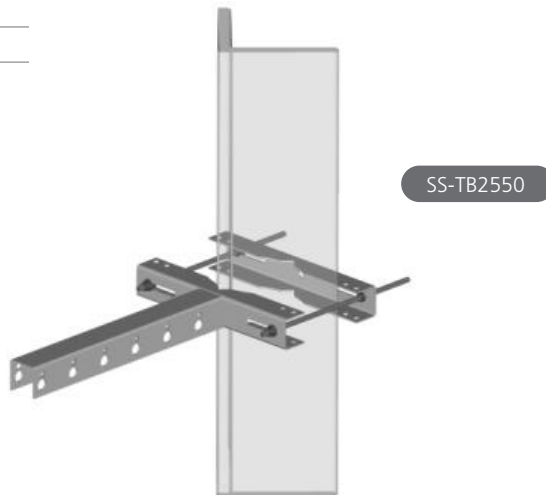
Coaxial Support Components

Star Support Brackets

Application:	Coaxial support on round or angle members
Size:	3/4" (19.1 mm) and 7/16" (11.1 mm) holes
Design:	Bolt together stand-off mount
Feature:	Six or twelve hole solution
Mounts to:	Round and angle members
Material:	Hot dip galvanized steel
Includes:	Bracket

Star Support Tee Bracket

Description	CommScope Material ID
1-1/2" to 5-9/16" OD (38.1 mm to 141.3 mm OD) Round Members and 2-1/2" to 5" (50.8 mm to 127 mm) Angle Members	SS-TB2550
4" to 10-3/4" OD (101.6 mm to 273.1 mm OD) Round Members and 4" to 8" (101.6 mm to 203.2 mm) Angle Members	SS-TB6080

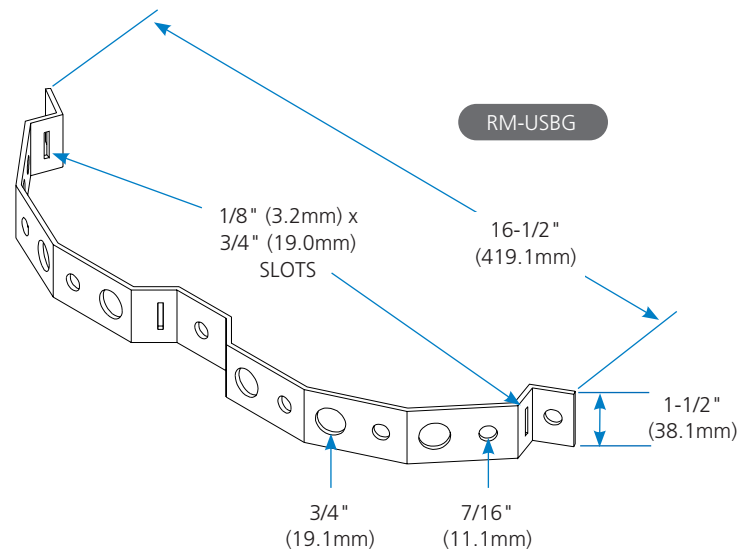
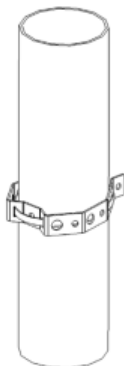


Universal Round Member Support Bracket

Application:	Coaxial support for monopoles
Size:	3/4" (19.1 mm) and 7/16" (11.1 mm) holes
Design:	Coaxial cable support for round members
Feature:	Ideal for co-location
Mounts to:	Round members
Material:	Hot dip galvanized steel
Includes:	Bracket
Order Separately:	Banding

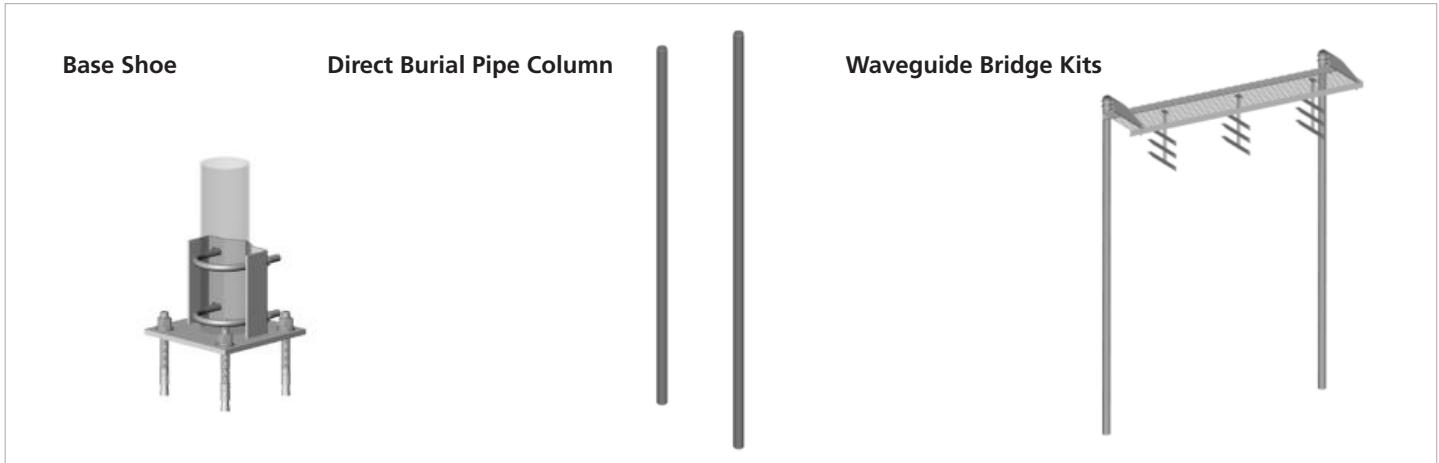
Universal Round Member Support Bracket

Description	CommScope Material ID
Universal Round Member Support Bracket for 6 Runs, Kit of 10	RM-USBG



Waveguide Bridge Components

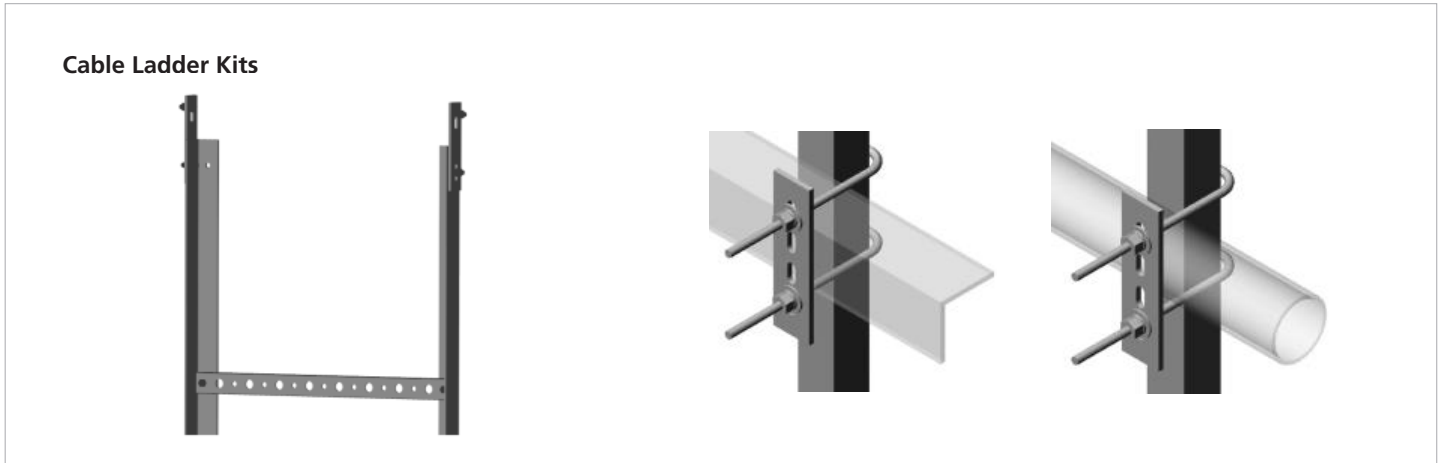
Ordering Information



Description	Part number
Base Shoe	
For 3 1/2" OD Pipe, Hardware Included	WB-BS
Direct Burial Pipe Column	
3 1/2" OD x 13' 4"	MF-130
Waveguide Bridge Support Brackets	
24" Wide for 3 1/2" OD Legs	WB-LB24-3
Safety Grated Waveguide Bridge Kits	
24" x 10' Bridge with (2) 15' 4" Direct Burial Posts	WB-K210-B15
24" x 10' Bridge with (2) 13' 4" Direct Burial Posts	WB-K210-B
24" x 10' Bridge with (4) 13' 4" Direct Burial Posts	WB-K410-B
24" x 10' Bridge with (2) 10' 6" Base Shoe Posts	WB-K210-S
Heavy Duty 12" x 10' Bridge with (2) 13' 4" Direct Burial Posts	WB-K110-B-HD
Heavy Duty 12" x 10' Bridge with (2) 10' 6" Base Shoe Posts	WB-K110-S-HD

Cable Ladder Kits

Ordering Information



Description	Part number
Cable Ladder Kits	
20" Wide, Six Hole Rung, 10 feet	CL-0610-U
20" Wide, Six Hole Rung, 20 feet	CL-0620-U
30" Wide, Nine Hole Rung, 10 feet	CL-0910-U
30" Wide, Nine Hole Rung, 20 feet	CL-0920-U
38" Wide, Twelve Hole Rung, 10 feet	CL-1210-U
38" Wide, Twelve Hole Rung, 20 feet	CL-1220-U



SITE RELATED

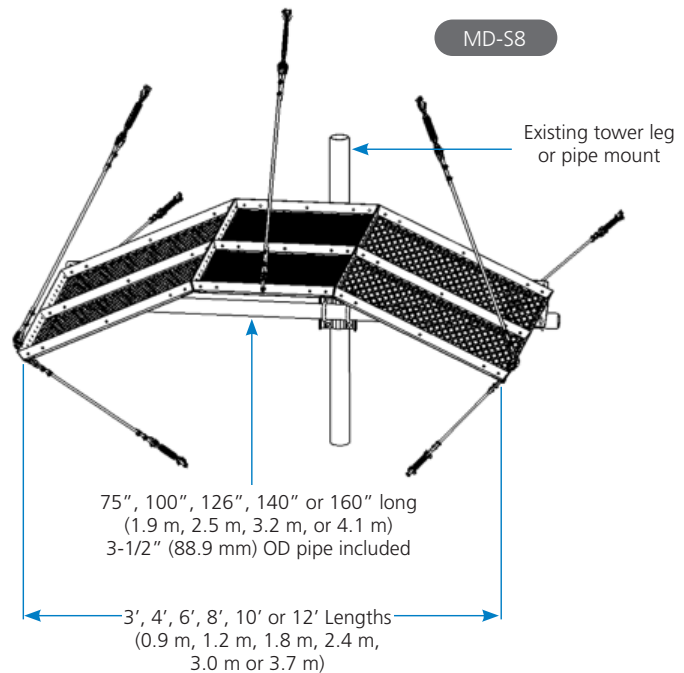
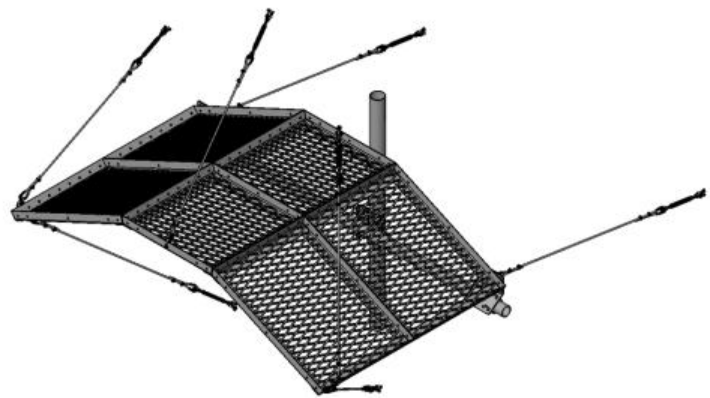
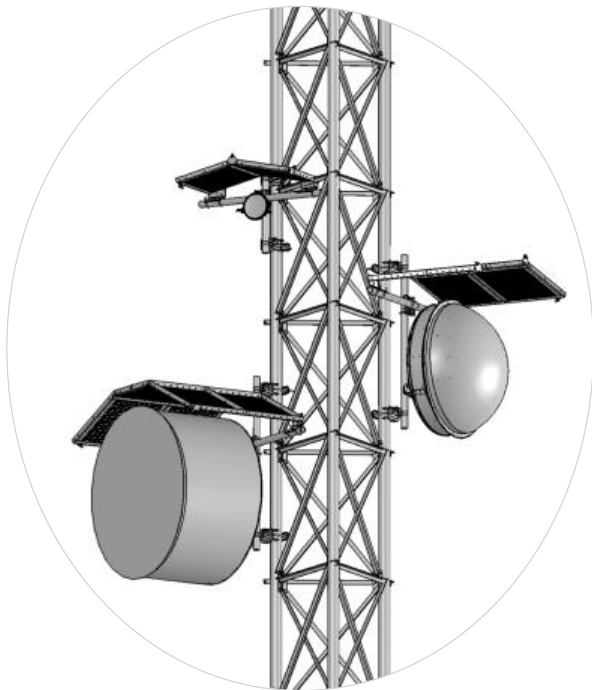
- Microwave Ice Shields
- Microwave Shield Mounts
- Components
- Equipment Platforms
- Ice and Rain Canopies
- Handrail and Step Kits

Microwave Antenna Ice Shield

Application:	Protection microwave antenna from falling debris
Design:	Heavy duty
Feature:	Bolt together, light weight panels
Mounts to:	4-1/2" (114.3 mm) OD pipe
Material:	Hot dip galvanized steel
Includes:	Ice shield and all attachment hardware
Order Separately:	Pipe mount

Microwave Antenna Ice Shield

Description	Antenna Size	CommScope Material ID
	Microwave Antenna Ice Shield for mounting to 4-1/2" OD Pipe	3' (914.4 mm) Antenna
4' (1.21 m) Antenna		MD-S4
6' (1.8 m) Antenna		MD-S6
8' (2.4 m) Antenna		MD-S8
10' (3 m) Antenna		MD-S10
12' (3.6 m) Antenna		MD-S12



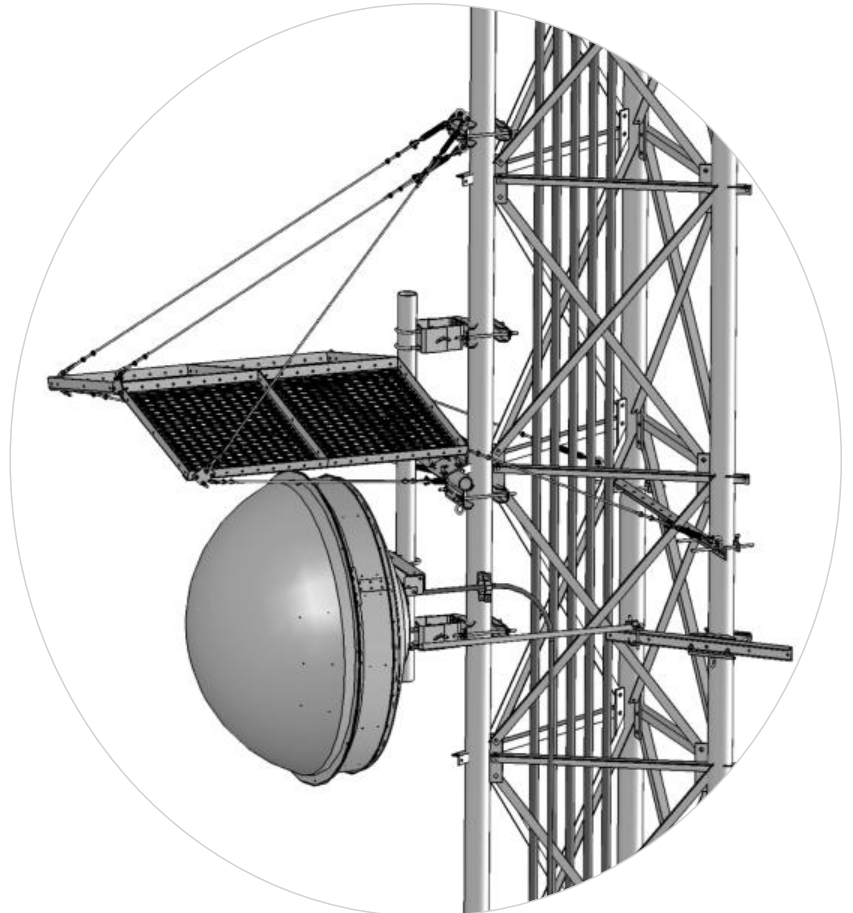
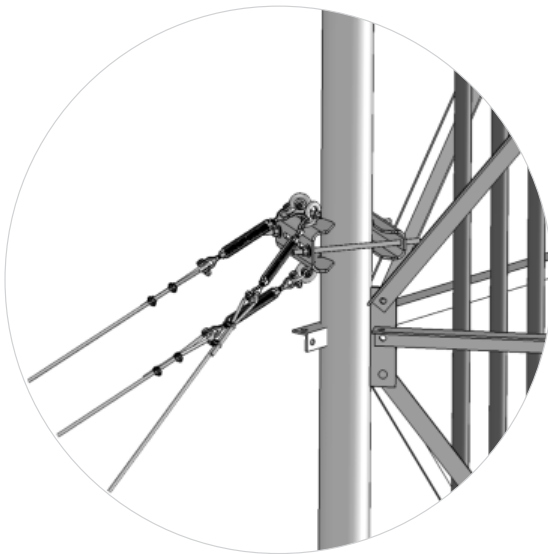
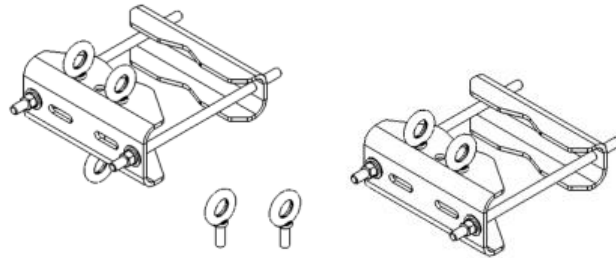
Microwave Shield Mounts

Microwave Shield Mounts

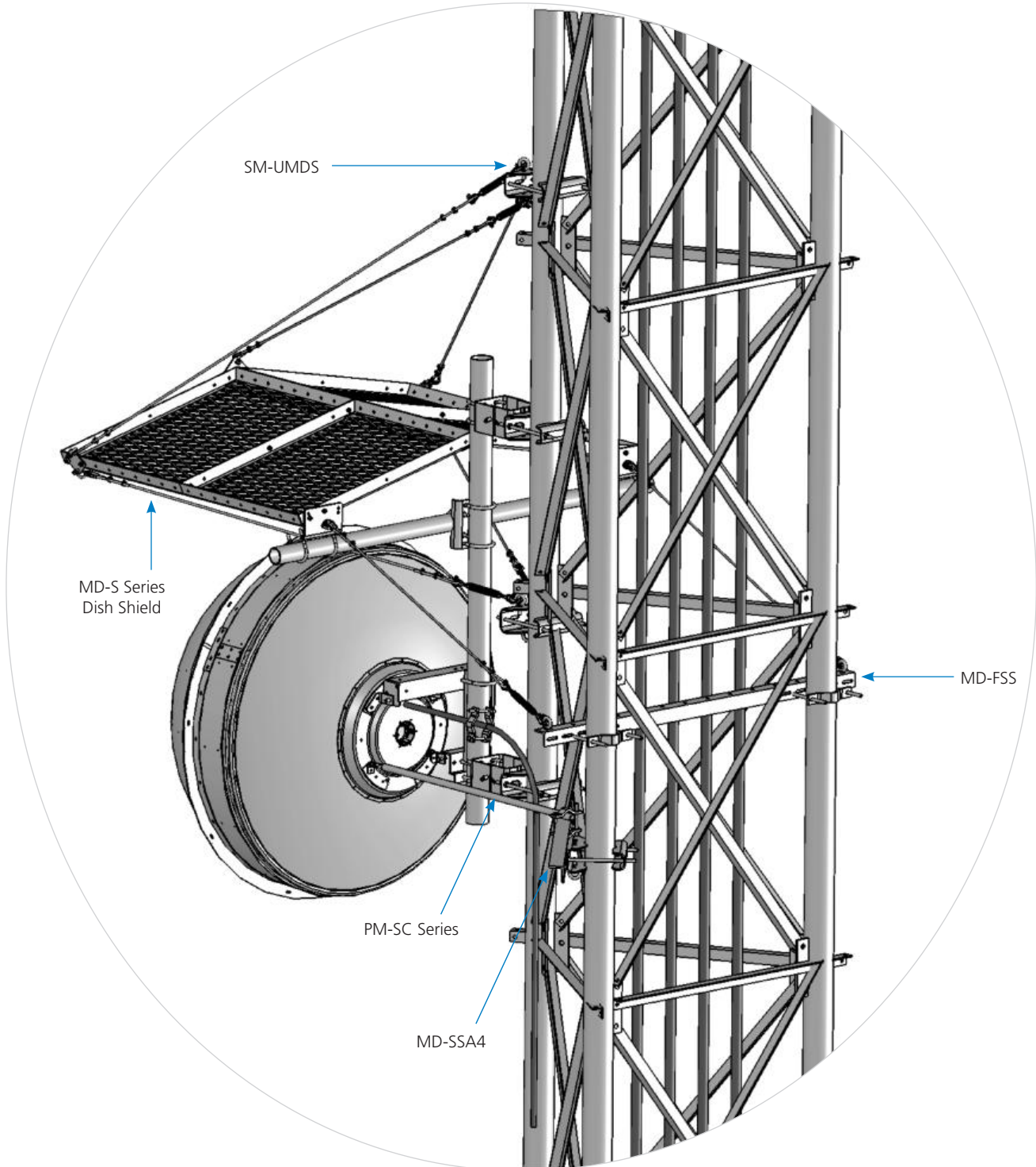
Application:	Lattice towers
Design:	Saddle mount and eye bolts
Feature:	Two piece formed saddles
Mounts to:	Straight or tapered legs up to 8-5/8" OD (219.1 mm OD), 8" (203.2 mm) angle 60°, or 6" (152.4 mm) angle 90°
Material:	Hot dip galvanized steel
Includes:	Universal saddle mount, eye bolts
Order Separately:	Microwave dish shield

Microwave Shield Mounts

Description	CommScope Material ID
Universal Saddle Mount for Attaching MD-S Guy Wire Supports. Includes Seven Eye Bolts	SM-UMDS
5/8" x 1-3/4" Shouldered Eye Bolt	GB-05SB



Microwave Shield Mounts



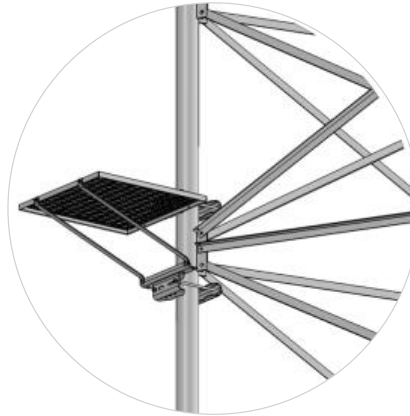
Microwave Ice Shields

Square Antenna Ice Shields

Application:	Protection from falling debris
Design:	Heavy duty
Feature:	Protects antenna from falling ice
Mounts to:	4-1/2" (114.3 mm) OD pipe
Material:	Hot dip galvanized steel
Includes:	Ice shield, mounting hardware
Order Separately:	4-1/2" (114.3 mm) OD pipe mount

Square Antenna Ice Shields

Description	Shield Size	CommScope Material ID
Square Antenna Ice Shield for mounting to 4-1/2" OD Pipe	2' (609.5 mm) Square	MD-SQ2
	3' (914.4 mm) Square	MD-SQ3
	4' (1.21 m) Square	MD-SQ4

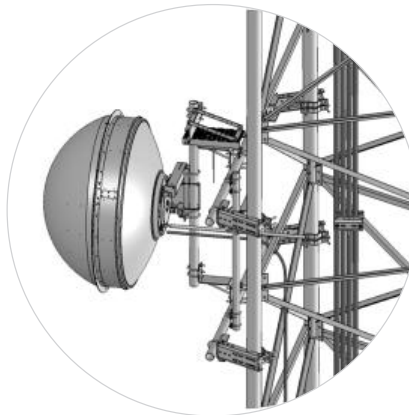


Microwave Dish Waveguide Shields

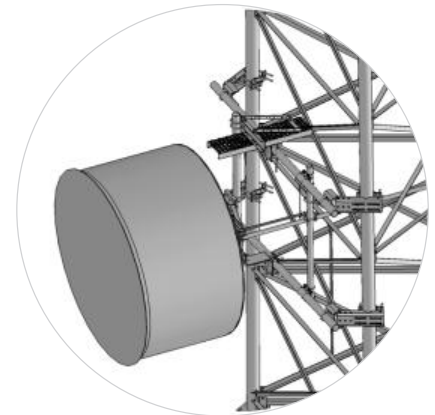
Application:	Waveguide protection from falling debris
Size:	Three versions (see table)
Design:	Support and protection for waveguide
Feature:	Protects waveguide from falling debris
Mounts to:	4-1/2" (114.3 mm) OD pipe
Material:	Hot dip galvanized steel
Includes:	Ice shield and all attachment hardware
Order Separately:	Pipe mount

Square Antenna Ice Shields

Description	Shield Size	CommScope Material ID
Waveguide Ice Shield for mounting to 4-1/2" OD Pipe	12" x 24" (304.8 mm x 610 mm) Shield	MD-IS2
	12" x 48" (304.8 mm x 1.2 m) Shield	MD-IS4
	24" (610 mm) Angle	MD-WS



MD-IS2

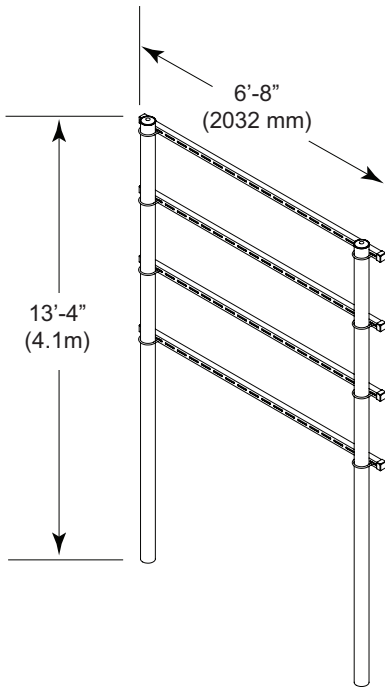


MD-IS4

Components

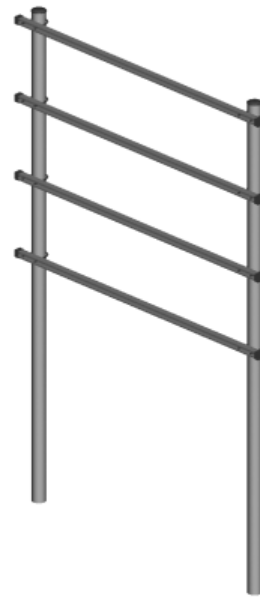
Power Telco Racks

Application:	Rack for mounting telco racks
Design:	Two posts, unistrut
Feature:	Burial posts or Base Shoes
Material:	Hot dip galvanized steel
Includes:	Posts, horizontal struts, mounting hardware



Power Telco Racks/H-Frames

Description	Number of Rungs	CommScope Material ID
With 13'-4" (4.1 m) Burial Posts	Two 80" (2 m) Rungs	PT-R102
	Three 80" (2 m) Rungs	PT-R103
	Four 80" (2 m) Rungs	PT-R104
10' x 10' with Base Shoes	Twelve 10' (3 m) Rungs	MTC3742
6' x 6' with Base Shoes	Five 5' (1.5 m) Rungs	MTC4045HF65
5' x 6' with Base Shoes		MTC4045HF55
5' x 6' with Base Shoes	Eight 5' (1.5 m) Rungs	PT-S-0605-08
5' x 5' with Base Shoes		PT-S-0505-08
5' x 7' with Base Shoes & 5' of WGB		RR-HFB55
5' x 10' with Base Shoes & 5' of WGB	Six 5' (1.5 m) Rungs	RR-HFBP5



PT-R104

SITE RELATED COMPONENTS

Equipment Platforms

CommScope equipment platforms are delivered unassembled and erected on-site. They are designed to assemble quickly, easily and without the need for a cement pad. No permitting, no need for cement forms or rebar. No wasted time spent waiting for the pad to cure. Should cabling beneath the platform need to be moved, there is no need to dig up the pad and re-pour— simply re-route as needed.

The base equipment platform features grating, platform and all the hardware needed. A variety of options enable you to tailor the platform size, footings, canopy type and more to the requirements of the job. Additional add-ons—like power telco racks, handrails, steps and climbing ladders—let you create a flexible platform solution that can adapt to the specific needs of each site as the network and site requirements evolve.

To order, specify your desired length and width (in 2-ft increments), then select footing type per charts below:

EQ-P -

1 2 3



Step 1

Platform Width (2-ft. increments, 26 ft. max)		
1	04	4 ft. (Minimum width)
	26	26 ft. (Maximum width)

Step 2

Platform Length (2-ft. increments, 26 ft. max)		
2	04	4 ft. (Minimum width)
	26	26 ft. (Maximum width)

Step 3

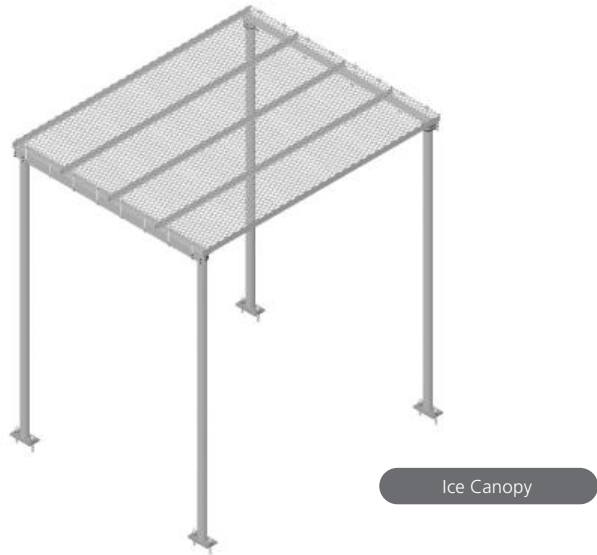
Platform Support/Feet Option		
3	B	No feet, base platform only
	AL	Adjustable legs with side leg jack
	DF	Weight disbursement feet

*Steps ordered separately to match elevation

Ice and Rain Components

Specifying the right ice or rain canopy is even easier. Use the format below to tell us the length and width you need and the type of footing you prefer.

- -
 1 2 3 4



Step 1

Canopy Type		
1	IC	Ice Canopy
	RC	Rain Canopy

Step 2

Canopy Length		
2	06	6 ft.
	08	8 ft.
	10	10 ft.

Step 3

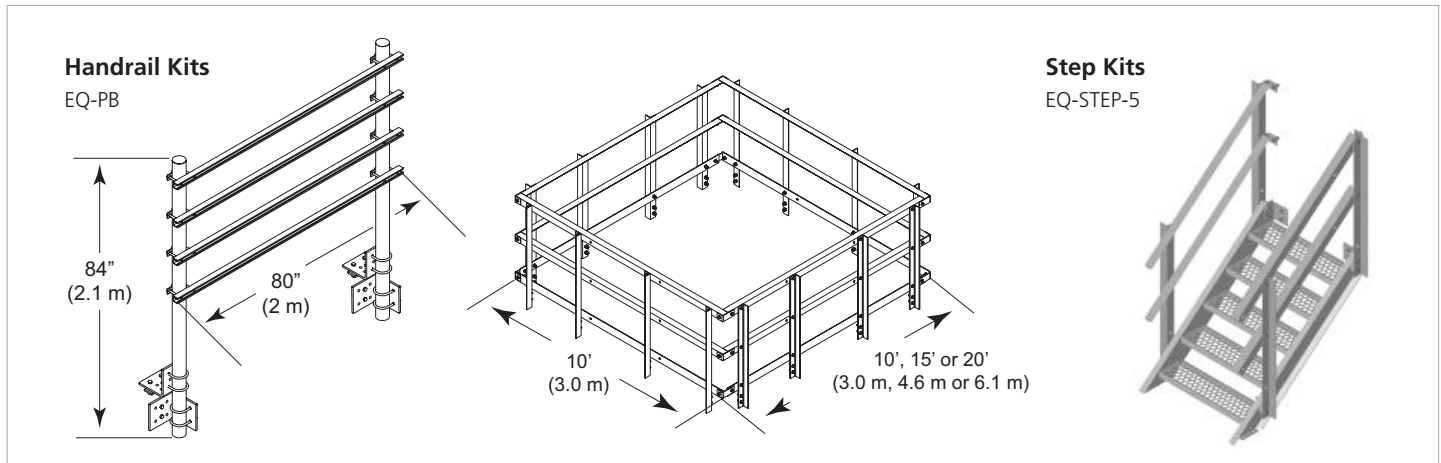
Canopy Width		
3	10	10 ft.
	12	12 ft.
	15	15 ft.

Step 4

Canopy Footing		
4	B	Direct burial posts, 13 ft. 4 in. tall
	S	Base shoe pipes 10.5 ft. tall

Handrail and Step Kits

Ordering Information



Description	Part number
Handrail Kit for EQ-P Series Platforms	
For 10' x 10' (3 m x 3 m) Platform	EQ-HR1010
For 10' x 15' (3 m x 4.6 m) Platform	EQ-HR1015
For 10' x 20' (3 m x 6.1 m) Platform	EQ-HR1020
Ladder for EQ-P Series Platforms	
Climbing Ladder for EQ-P Series Platforms	EQ-LD
Step Kits for EQ-P Series Platforms	
Single Platform Step for EQ-P Series Platforms	EQ-ST5
Double Step Kit for EQ-P Series Platforms	EQ-STEP-2
Triple Step Kit for EQ-P Series Platforms	EQ-STEP-3
Four Step Kit for EQ-P Series Platforms	EQ-STEP-4
Five Step Kit for EQ-P Series Platforms	EQ-STEP-5
Six Step Kit for EQ-P Series Platforms	EQ-STEP-6
Power Telco Rack Kit for EQ-P Series Platforms	
40" x 84" Round Post H-Frame with 4 Rungs, Mounts to EQ-P Platforms	EQ-PPC
Post Bracket Kit for Waveguide Bridge Attachment to EQ-P Series Platforms	
Mounts 3-1/2" (88.9 mm) OD Pipe	EQ-PB
8' x 8' H-Frame with Square Posts & 4 Rungs, mounts to EQ-P Platforms	MTC3983



Pipe Dimensions

Pipe Size	OD (Inches)	OD (mm)
1/2"	0.84	21.34
3/4"	1.05	26.67
1"	1.32	33.40
1-1/4"	1.66	42.16
1-1/2"	1.90	48.26
2"	2.38	60.33
2-1/2"	2.88	73.03
3"	3.50	88.90
3-1/2"	4.00	101.60
4"	4.50	114.30
5"	5.56	141.30
6"	6.63	168.30
8"	8.63	219.08



Fraction/Decimal/Metric Chart

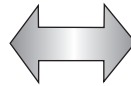
Inches Fraction	Inches Decimal	Millimeters
1/16	0.0625	1.6
1/8	0.1250	3.2
3/16	0.1875	4.8
1/4	0.2500	6.4
5/16	0.3125	7.9
3/8	0.3750	9.5
7/16	0.4375	11.1
1/2	0.5000	12.7
9/16	0.5625	14.3
5/8	0.6250	15.9
11/16	0.6875	17.5
3/4	0.7500	19.1
13/16	0.8125	20.6
7/8	0.8750	22.2
15/16	0.9375	23.8
1	1.0000	25.4

NOTE: Not applicable to coaxial cables



Steel Thicknesses

Gage	Thickness (Inches)	Thickness (mm)
10	0.1345	3.416
11	0.1196	3.038
12	0.1046	2.657
13	0.0897	2.278
14	0.0747	1.897
15	0.0673	1.709
16	0.0598	1.519



Conversion Factors

Convert From	Convert To	Multiply By
Length		
foot (ft)	meter (m)	0.3048
inch (in)	meter (m)	0.0254
inch (in)	centimeter (cm)	2.5400
meter (m)	foot (ft)	3.2808
meter (m)	inch (in)	39.3700
centimeter (cm)	inch (in)	0.3937
millimeter (mm)	inch (in)	0.0393
Area		
square foot (ft ²)	square meter (m ²)	0.0929
square meter (m ²)	square foot (ft ²)	10.7639
Circle		
radius	diameter	2.0000
diameter	radius	0.5000
diameter	circumference	3.1416
radius	circumference	6.2832
Weight		
pound (lb)	kilogram (kg)	0.4536
kilogram (kg)	pound (lb)	2.2046



AWG Wire Sizes

AWG Size	Stranded, OD (overall)		Solid, OD	
	Inch	Millimeter	Inch	Millimeter
4/0	0.528	13.41	0.460	11.68
2/0	0.419	10.64	0.409	10.39
1/0	0.373	9.47	0.324	8.23
2	0.292	7.42	0.257	6.53
4	0.232	5.88	0.204	5.18
6	0.184	4.66	0.162	4.11
8	0.146	3.70	0.128	3.25
10	0.116	2.94	0.102	2.59

CommScope pushes the boundaries of communications technology with game-changing ideas and ground-breaking discoveries that spark profound human achievement. We collaborate with our customers and partners to design, create and build the world's most advanced networks. It is our passion and commitment to identify the next opportunity and realize a better tomorrow. Discover more at commscope.com

COMMSCOPE®

commscope.com

Visit our website or contact your local CommScope representative for more information.

© 2024 CommScope, LLC. All rights reserved.

CommScope and the CommScope logo are registered trademarks of CommScope and/or its affiliates in the U.S. and other countries. For additional trademark information see <https://www.commscope.com/trademarks>. All product names, trademarks and registered trademarks are property of their respective owners.

CA-105584.1-EN (03/24)